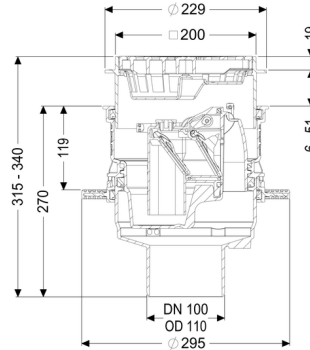


Universal Plus basement drain ver., black, Backw.valve, Waterpr.concr.



Article information

Item no.: 27631
 GTIN: 4026092096864
 Price group: 10

Description

The polymer Universal Plus basement drain is equipped with a removable backwater valve with two backwater flaps, one hand-lockable emergency closure and a sludge bucket.

The drain is pressure-waterproof up to 0.6 bar (MFPA Leipzig tested) and radon-tight (IAF Radioökologie GmbH tested).

Type of wastewater: wastewater without sewage
 Installation situation: floor slab installation

Version:

Emergency closure: yes
 Sealing water height: 60 mm
 Backwater protection: Type 5
 Number of mechanical backwater flaps: 2

General characteristics:

Nominal size (DN): 100
 Colour: black
 Standard: EN 1253, EN 13564

Dimensions:

Height:	270 mm
Cutout dimension, length:	310 mm
Cutout dimension, width:	310 mm
Diameter:	295 mm

Tank:

Installation depth:	293 - 350 mm
---------------------	--------------

Drain body:

Socket version:	vertical
Vertical adjustment:	vertically adjustable upper section
Adjustment range:	23 - 80 mm

Coverage features:

Type of cover:	Slotted cover
Cover material:	Polymer
Colour of cover:	black
Load class:	K 3 (EN 1253-1)
Length:	200 mm
Width:	200 mm
Height:	25 mm
Sludge bucket:	yes
Discharge rate (l/s) with 10 mm backwater:	1,4 l/s
Discharge rate (l/s) with 20 mm backwater:	1.9 l/s