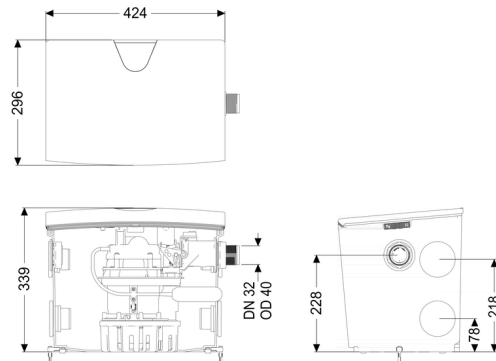
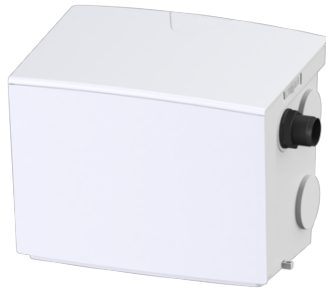


Lifting station Minilift S GTF1000, resistant, free-standing set-up



Article information

Item no.: 28563C
 GTIN: 4026092097021
 Price group: 20

Description

Type of wastewater: wastewater without sewage
 Installation situation: free-standing set-up

Version:

Type of system: Single station
 Pump control: Float switch
 Backflow preventer: integrated
 Resistant: Resistant to saline media, wastewater from water softening systems and wastewater containing condensate from heating systems
 Ventilation: Activated carbon filter
 Delivery state: plug-in ready

General characteristics:

Colour: white
 Standard: EN 12050-2

Dimensions:

Length: 425 mm

Width: 300 mm
Height: 340 mm

Tank:

Number of inlets: 5 ST
Inlet nominal size (DN): 40, 50
Tank volume: 30 l
Pumping volume: 7 l
Pressure pipe connection: horizontal
Pressure pipe connection (DN): 32 mm
Pressure pipe connection (OD): 40 mm

Free passage: 10 mm

Pumping device:

Pump: GTF 1000 resistant
Number of pumps: 1
Max. pumping capacity: 14.5 m³/h
Max. pumping height: 10 m
Operating voltage: 230 V
Mains frequency: 50 Hz
Operating mode: S3 - 50 %
Power P1: 1.27 kW
Power P2: 0.73 kW
Speed: 2,800 U/min
Type of fuse required (electrical protection): C 16 A
Max. temperature (permanent) of conveyed material: 40 °C
Hot water resistance for a short time (2 min): 80 °C
Connection type: Schuko (earthed contact) 2-pin
Weight: 10 kg
Impeller type: Multi-vane impeller
Length of mains cable for pump: 5 m
Rated current: 5.6 A
Protection class (pump): IP 68 (3m)
Protection class: I
Type of pump connection cable: H07RN-F 3G 1.0 mm²
Temperature monitoring: integrated

Control:

Type of level measurement: mechanical
Level measurement instrument: Float switch