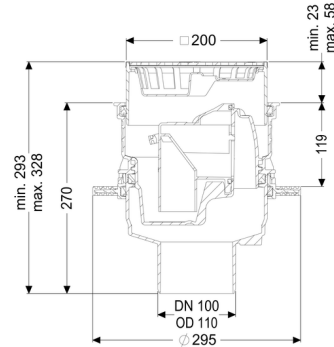
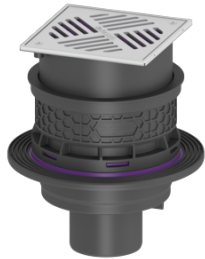


Universal Plus basement drain ver., SST, Odour trap, Waterpr.concrete



Article information

Item no.: 29141
 GTIN: 4026092096901
 Price group: 10

Description

The polymer Universal Plus basement drain is used for drainage of non-faecal wastewater and is equipped with a removable odour closure and a sludge bucket. Including temporary protective cover.

The drain is pressure-waterproof up to 0.6 bar (MFPA Leipzig tested) and radon-tight (IAF Radioökologie GmbH tested).

| | |
|-------------------------|---------------------------|
| Type of wastewater: | wastewater without sewage |
| Installation situation: | floor slab installation |

Version:

| | |
|-------------|----------|
| Odour trap: | included |
|-------------|----------|

General characteristics:

| | |
|--------------------|---------|
| Nominal size (DN): | 100 |
| Colour: | black |
| Standard: | EN 1253 |

Dimensions:

| | |
|---------------------------|--------|
| Height: | 270 mm |
| Cutout dimension, length: | 310 mm |
| Cutout dimension, width: | 310 mm |
| Diameter: | 295 mm |

Tank:

| | |
|---------------------------|--------------|
| Outlet nominal size (DN): | 100 |
| Outlet nominal size (OD): | 110 |
| Installation depth: | 285 - 340 mm |

Drain body:

| | |
|----------------------|-------------------------------------|
| Socket version: | vertical |
| Vertical adjustment: | vertically adjustable upper section |
| Adjustment range: | 23 - 80 mm |

Coverage features:

| | |
|--|---------------------------------------|
| Type of cover: | Slotted cover made of stainless steel |
| Cover material: | 304 stainless steel |
| Colour of cover: | silver |
| Load class: | K 3 (EN 1253-1) |
| Length: | 200 mm |
| Width: | 200 mm |
| Height: | 25 mm |
| Sludge bucket: | yes |
| Discharge rate (l/s) with 10 mm backwater: | 1,6 l/s |
| Discharge rate (l/s) with 20 mm backwater: | 2.3 l/s |