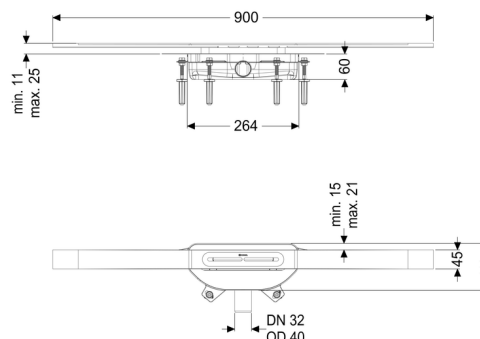


Shower chan. Linearis Infinity 60 L: 900 mm, DN 40, Copper, brushed



Article information

Item no.: 45103.09
 GTIN: 4026092094341
 Price group: 10

Description

The narrow Linearis Infinity channel for walk-in showers is suitable for indoor linear drainage for household and commercial use. The channel profile made of 316 stainless steel can be extended straight or at three (30, 45 and 90 degree) angles.

The drain body made of PP is equipped with sound and settlement absorbers. The channel contains a clip-on flange with factory-mounted waterproofing membrane to EN 1253-1 and DIN 18534-1-W3-I. The channel profile can be pushed in the lengthwise and transverse direction in the clip-on flange to level out construction tolerance.

Including odour trap with 24 mm water seal.

Open seepage water openings, without flooding of the waterproofing level in the event of backwater.

Version:

Odour trap:	with 24 mm water seal
Type of waterproofing layer:	Factory-fitted sealing collar (WaD) according to DIN 18534
Seepage opening:	open

Water exposure class in accordance to DIN 18534-1 (up to and including):	W3-I
Sealing water height:	24 mm

General characteristics:

Nominal size (DN):	40
--------------------	----

Dimensions:

Length:	264 mm
Width:	111 mm
Min. design height:	60 mm

Tank:

Outlet nominal size (DN):	40
Outlet nominal size (OD):	40

Drain body:

Material of drain body:	PP
Socket version:	lateral

Coverage features:

Type of cover:	Stainless steel cover
Cover material:	316 stainless steel
Min. flooring height:	11 mm
Max. flooring height:	25 mm
Load class:	K 3 (EN 1253-1)
Length:	900 mm
Width:	45 mm
Surface:	Copper brushed
Locking:	placed
Shape of upper section:	square
Discharge rate (l/s) with 10 mm backwater:	0.4 l/s
Discharge rate (l/s) with 20 mm backwater:	0.5 l/s