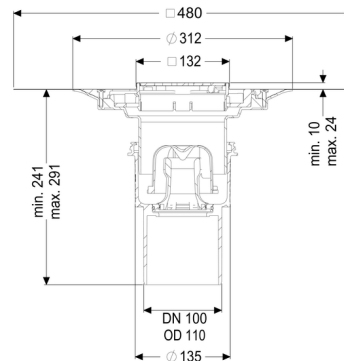
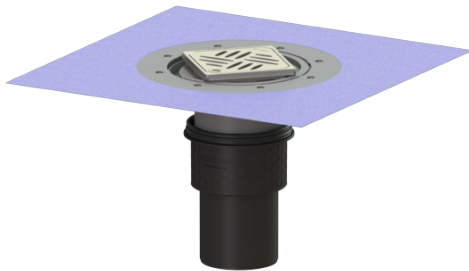


Ecoguss project drain DN 100, vert., Variofix, Design cover



Article information

Item no.: 48411.53
 GTIN: 4026092053911
 Price group: 40

Advantages

- High-tech Ecoguss composite material
- Highest fire protection standards
- Scientifically confirmed sound protection effect

Description

The Ecoguss project drain with connection flange is used for point drainage and is equipped with a removable odour trap as well as a lip seal and a temporary protective cover.

The recyclable composite material Ecoguss meets the highest noise protection requirements, is temperature-resistant, resistant to aggressive media, and has a permanently corrosion-free surface. It is also briefly flammable from 100 to 400 degrees Celsius.

The outlet socket is suitable for connection to SML cast iron pipes. Separate equipotential bonding is not necessary.

Version:

System:	125
Odour trap:	included
Type of waterproofing layer:	Waterproofing layer
Waterproofing layer on the upper section:	Enclosed sealing collar to be glued (bd) according to DIN 18534
Waterproofing layer on the drain body:	Connection flange
Sealing water height:	50 mm

General characteristics:

Nominal size (DN):	100
Outer diameter (OD):	110
Standard:	EN 1253-1

Dimensions:

Length:	135 mm
Width:	135 mm

Tank:

Number of outlets:	1 ST
--------------------	------

Drain body:

Material of drain body:	Ecoguss
Socket version:	vertical
Vertical adjustment:	vertically adjustable upper section
Upper section:	adjustable in three dimensions

Coverage features:

Type of cover:	Design cover
Grating design:	Kessel
Cover material:	304 stainless steel
Colour of cover:	silver
Min. flooring height:	10 mm
Max. flooring height:	24 mm
Load class:	L 15 (EN 1253-1)
Length:	120 mm
Width:	120 mm
Surface:	ground
Locking:	Lock & Lift

Grating:

Rim length:	132 mm
Rim width:	132 mm
Rim material:	304 stainless steel

Shape of upper section:	square
Upper section material:	ABS

Fire protection:

Highest fire protection standards are reached using the optionally available Fire-Kit and Quick-Fit