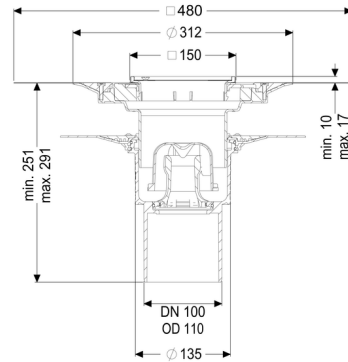
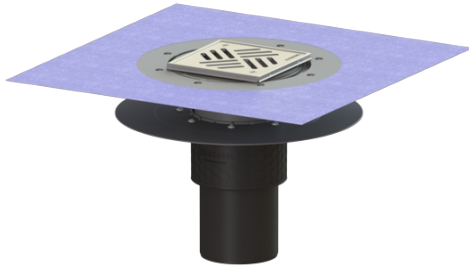


Ecoguss project drain glu. flange DN 100, vert., Variofix, Slotted cover



Article information

Item no.: 48611.51
 GTIN: 4026092032718
 Price group: 40

Advantages

- High-tech Ecoguss composite material
- Ecoguss, highest fire protection standards
- Scientifically confirmed sound protection effect

Description

The Ecoguss project drain is used for point drainage and is equipped with a glued flange as well as a removable odour trap, a lip seal and a temporary protective cover.

The recyclable composite material Ecoguss meets the highest noise protection requirements, is temperature-resistant, resistant to aggressive media, and has a permanently corrosion-free surface. It is also briefly flammable from 100 to 400 degrees Celsius.

The loose flange is used for clamping polymer and elastomer sealing sheets as well as for cold bitumen seals. The outlet socket is suitable for connection to SML cast iron pipes. Separate equipotential bonding is not necessary.

Version:

System:	125
Odour trap:	included
Type of waterproofing layer:	Waterproofing layer
Waterproofing layer on the upper section:	Enclosed sealing collar to be glued (bd) according to DIN 18534
Waterproofing layer on the drain body:	Adhesive flange (suitable for moisture barriers)

Water exposure class in accordance to DIN 18534-1 (up to and including):	W3-I
Sealing water height:	50 mm

General characteristics:

Nominal size (DN):	100
Outer diameter (OD):	110
Standard:	EN 1253-1

Dimensions:

Length:	348 mm
Width:	348 mm

Tank:

Number of outlets:	1 ST
--------------------	------

Drain body:

Material of drain body:	Ecoguss
Socket version:	vertical

Vertical adjustment:	vertically adjustable upper section
Upper section:	adjustable in three dimensions

Coverage features:

Type of cover:	Slotted cover
Cover material:	304 stainless steel
Colour of cover:	silver
Min. flooring height:	10 mm
Max. flooring height:	17 mm
Load class:	K 3 (EN 1253-1)
Length:	138 mm
Width:	138 mm
Surface:	Polished SST
Locking:	screwed

Grating:

Rim length:	150 mm
Rim width:	150 mm
Rim material:	304 stainless steel

Shape of upper section:

square

Upper section material:

ABS

Fire protection:

Highest fire protection standards are reached using the optionally available Fire-Kit and Quick-Fit