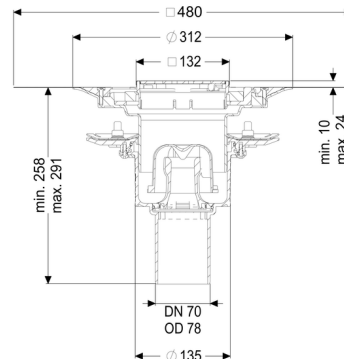
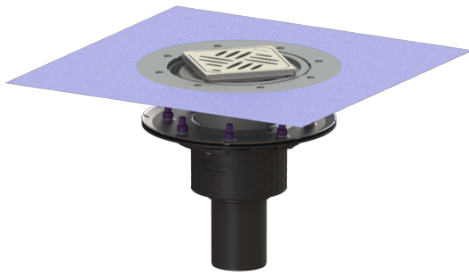


Ecoguss project drain, press. fl. DN 70, vert., Variofix, Design cover



Article information

Item no.: 48878.53
 GTIN: 4026092034569
 Price group: 40

Advantages

- Scientifically confirmed sound protection effect
- Highest fire protection standards

Description

The Ecoguss project drain is used for point drainage and is equipped with a pressure sealing flange as well as a removable odour trap, a lip seal and a temporary protective cover.

The recyclable composite material Ecoguss meets the highest noise protection requirements, is temperature-resistant, resistant to aggressive media, and has a permanently corrosion-free surface. It is also briefly flammable from 100 to 400 degrees Celsius.

The pressure sealing flange with bolts and screws made of stainless steel is used for the clamping or welding of bitumen and polymer bitumen sheets as well as for polymer and elastomer sealing sheets. Only the sealing sheets tested by the manufacturer may be used for watertight seals. The outlet socket is suitable for connection to SML cast iron pipes. Separate equipotential bonding is not necessary.

Version:

System:	125
Odour trap:	included
Type of waterproofing layer:	Waterproofing layer
Waterproofing layer on the upper section:	Enclosed sealing collar to be glued (bd) according to DIN 18534
Waterproofing layer on the drain body:	Press sealing flange (suitable for creating watertight seals)

Sealing water height: 50 mm

General characteristics:

Nominal size (DN): 70
Outer diameter (OD): 78
Standard: EN 1253-1

Dimensions:

Length: 273 mm
Width: 273 mm

Tank:

Number of outlets: 1 ST

Drain body:

Material of drain body: Ecoguss
Socket version: vertical

Vertical adjustment: vertically adjustable upper section
Upper section: adjustable in three dimensions

Coverage features:

Type of cover: Design cover
Grating design: Kessel
Cover material: 304 stainless steel
Colour of cover: silver
Min. flooring height: 10 mm
Max. flooring height: 24 mm
Load class: L 15 (EN 1253-1)
Length: 120 mm
Width: 120 mm
Surface: ground
Locking: Lock & Lift

Grating:

Rim length: 132 mm
Rim width: 132 mm
Rim material: 304 stainless steel

Shape of upper section:
Upper section material:
Fire protection:

square
ABS
Highest fire protection standards are reached using
the optionally available Fire-Kit and Quick-Fit