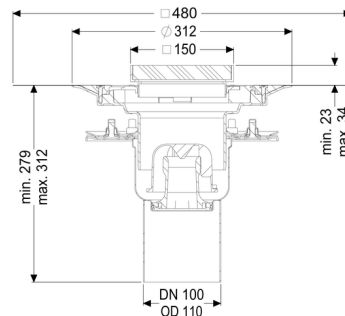
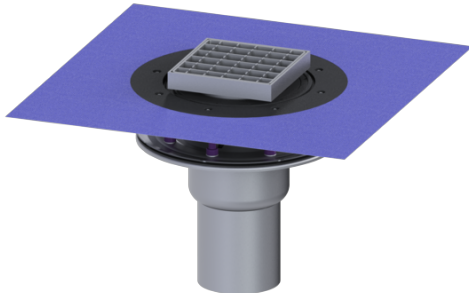


Ferrofix floor drain pressure sealing flange DN 100, vert, Waterproofing layer, Slotted grating



Article information

Item no.: 54230.21
 GTIN: 4026092056431
 Price group: 70

Advantages

- Made of particularly hygienic and mechanically highly resistant stainless steel

Description

The Ferrofix stainless steel floor drain is used for point drainage and is equipped with a pressure sealing flange as well as a removable odour trap made of stainless steel, a lip seal and a temporary protective cover.

The pressure sealing flange with bolts and screws made of stainless steel is used for the clamping or welding of bitumen and polymer bitumen sheets as well as for polymer and elastomer sealing sheets. The outlet socket is suitable for connection to SML cast iron pipes. With connection option for equipotential bonding.

Version:

System:	125
Odour trap:	included
Type of waterproofing layer:	Waterproofing layer
Waterproofing layer on the upper section:	Enclosed sealing collar to be glued (bd) according to DIN 18534
Waterproofing layer on the drain body:	Press sealing flange (suitable for creating watertight seals)
Sealing water height:	50 mm

General characteristics:

Nominal size (DN): 100
Outer diameter (OD): 110
Standard: EN 1253-1

Dimensions:

Length: 273 mm
Width: 273 mm

Tank:

Number of outlets: 1 ST

Drain body:

Material of drain body: Stainless steel 14301
Socket version: vertical
Vertical adjustment: vertically adjustable upper section
Vertical adjustment: 23 - 40 mm
Upper section: adjustable in three dimensions

Coverage features:

Type of cover: Slotted grating
Cover material: Stainless steel 14301
Load class: L 15 (EN 1253-1)
Length: 138 mm
Width: 138 mm
Surface: pickled
Locking: unlocked

Grating:

Rim length: 150 mm
Rim width: 150 mm

Shape of upper section: square
Upper section material: ABS