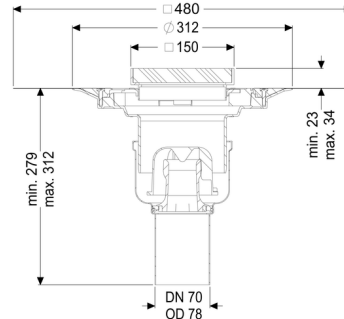
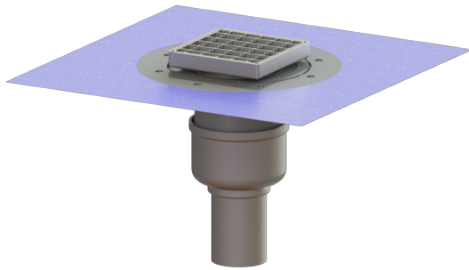


Ferrofix floor drain DN 70, vertical, Waterproofing layer, Slotted grating



Article information

Item no.: 54410.21
 GTIN: 4026092056387
 Price group: 70

Advantages

- Made of particularly hygienic and mechanically highly resistant stainless steel

Description

The Ferrofix stainless steel floor drain is used for point drainage and is equipped with a removable odour trap made of stainless steel, a lip seal and a temporary protective cover.

The outlet socket is suitable for connection to SML cast iron pipes.

Version:

System:	125
Odour trap:	included
Type of waterproofing layer:	Waterproofing layer
Waterproofing layer on the upper section:	Enclosed sealing collar to be glued (bd) according to DIN 18534
Waterproofing layer on the drain body:	Connection flange
Sealing water height:	50 mm

General characteristics:

Nominal size (DN):	70
Outer diameter (OD):	78
Standard:	EN 1253-1

Dimensions:

Length: 142 mm
Width: 142 mm

Tank:

Number of outlets: 1 ST

Drain body:

Material of drain body: Stainless steel 14301
Socket version: vertical

Vertical adjustment: vertically adjustable upper section
Vertical adjustment: 23 - 40 mm
Upper section: adjustable in three dimensions

Coverage features:

Type of cover: Slotted grating
Cover material: Stainless steel 14301
Load class: L 15 (EN 1253-1)
Length: 138 mm
Width: 138 mm
Surface: pickled
Locking: unlocked

Grating:

Rim length: 150 mm
Rim width: 150 mm

Shape of upper section: square
Upper section material: ABS