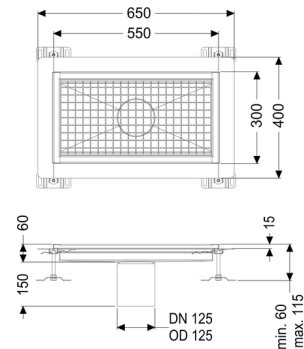


## Ferrofix box channel glued flange H: 15mm, 300x550mm



### Article information

Item no.: 6030050  
 GTIN: 4026092066478  
 Price group: 80

### Advantages

- Made of particularly a hygienic and mechanically highly resistant stainless steel
- Variably combinable with suitable drain bodies

### Description

The Ferrofix box channel made of stainless steel with a material thickness of 2.0 mm (pickled in the immersion bath) is equipped with polished sight bars, longitudinal and transverse slopes, feet for height adjustment, welded spacers to secure the grates and with outlet nozzles made of stainless steel. The channel profile is suitable for joint sealing and has a circumferential adhesive edge (15 mm deep and 50 mm folded outwards) with welded mitres.

Waterproofing layer on the upper section:  
 Water exposure class in accordance to DIN 18534-1 (up to and including):

Adhesive flange (suitable for moisture barriers)  
 W3-I

### General characteristics:

Nominal size (DN): 125  
 Outer diameter (OD): 125

### Dimensions:

Length: 550 mm  
 Width: 300 mm  
 Height: 60 mm

**Coverage features:**

Type of cover:	Slotted grating
Colour of cover:	silver
Load class:	L 15 (EN 1253-1)
Locking:	placed
Upper section material:	Stainless steel 14301