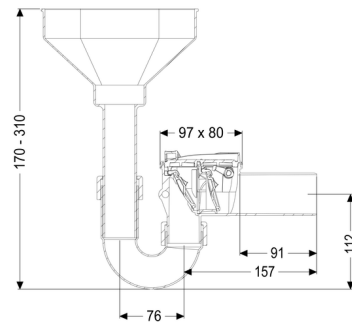


## Backwater valve Staufix Siphon, DN 50, Inlet funnel, Type 5



### Article information

Item no.: 73053  
 GTIN: 4026092027622  
 Price group: 10

### Advantages

- Ideal for modernisation: can also be installed in existing pipes later
- Simple, toolless maintenance and cleaning
- Corrosion-free

### Description

The backwater valve for wastewater without sewage is equipped with two mechanical flaps which close automatically in the event of backwater. One flap serves at the same time as an emergency closure to be closed by hand.

Type of wastewater: wastewater without sewage  
 Installation situation: installation as inlet funnel

### Version:

Emergency closure: yes  
 Delivery state: installation-ready  
 Backwater protection: Type 5  
 Number of mechanical backwater flaps: 2

### General characteristics:

Nominal size (DN): 50  
 Colour: white  
 Standard: EN 13564

### Dimensions:

Length:	260 mm
Width:	80 mm
Height:	370 mm
Cover locking:	One-handed closure