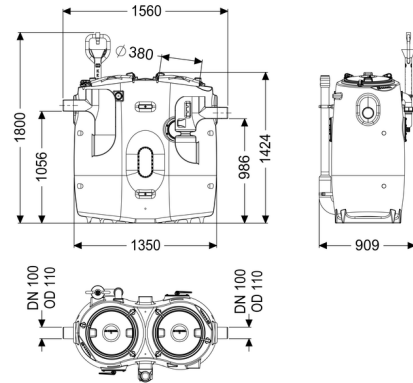


Grease separator EasyClean free Basic, NS2, Direct, right, wind., Refill



Article information

Item no.: 94002.32DR
 GTIN: 4026092084359
 Price group: 60

Description

The separator for greasy wastewater is suitable for free-standing set-up in frost-protected rooms and comes without metallic components in the tank. The collecting tank made of permanently resistant polymer (PE) is equipped with an integrated sludge trap.

Two odour-tight covers with quick-release closures allow for easy access for cleaning and maintenance work.

There is a direct disposal pipe socket available for odour-reduced manual disposal. After disposal, a maximum of 3 litres residual sludge volume is left in the tank.

20 year polyethylene warranty.

Installation situation: free-standing set-up

Version:

Type of disposal:	manual
Disposal variant:	Direct
Refill inlet in accordance with DIN 1988:	yes
Nominal size (NS):	2
Inspection window:	yes
Load-bearing capacity (DIN 19901):	F3

Delivery state:	Installation-ready (connection parts must be connected on site)
Scope of delivery:	Storz-B coupling R 2 1/2" for disposal vehicle connection

General characteristics:

Material:	PE
Standard:	EN 1825

Dimensions:

Set-up area, length:	1,560 mm
Set-up area, width:	920 mm
Set-up area, height:	1,800 mm
Required access area, length:	1,560 mm
Required access area, width:	745 mm
Required access area, height:	1,420 mm

Tank:

Inlet nominal size (DN):	100
Inlet nominal size (OD):	110 mm
Outlet nominal size (DN):	100
Outlet nominal size (OD):	110 mm
Distance pipe bottom inlet to tank bottom:	1,055 mm
Distance pipe bottom outlet to tank bottom:	985 mm
Pressure pipe connection (DN):	65 mm
Pressure pipe connection (OD):	75 mm
Nominal pressure (PN):	10
Connection inlet/outlet sockets:	PE-HD pipes in accordance with DIN 19537, HT pipes in accordance with DIN 19560, PP or AS

Coverage features:

Type of cover:	Cover
Cover material:	Polymer
Colour of cover:	violet
Tightness:	odour-tight
Locking:	Quick-release closure

Wastewater contents:

Total volume:	660 l
Contents of sludge trap:	200 l
Storage quantity of grease:	80 l

Max. grease layer thickness:

120 mm