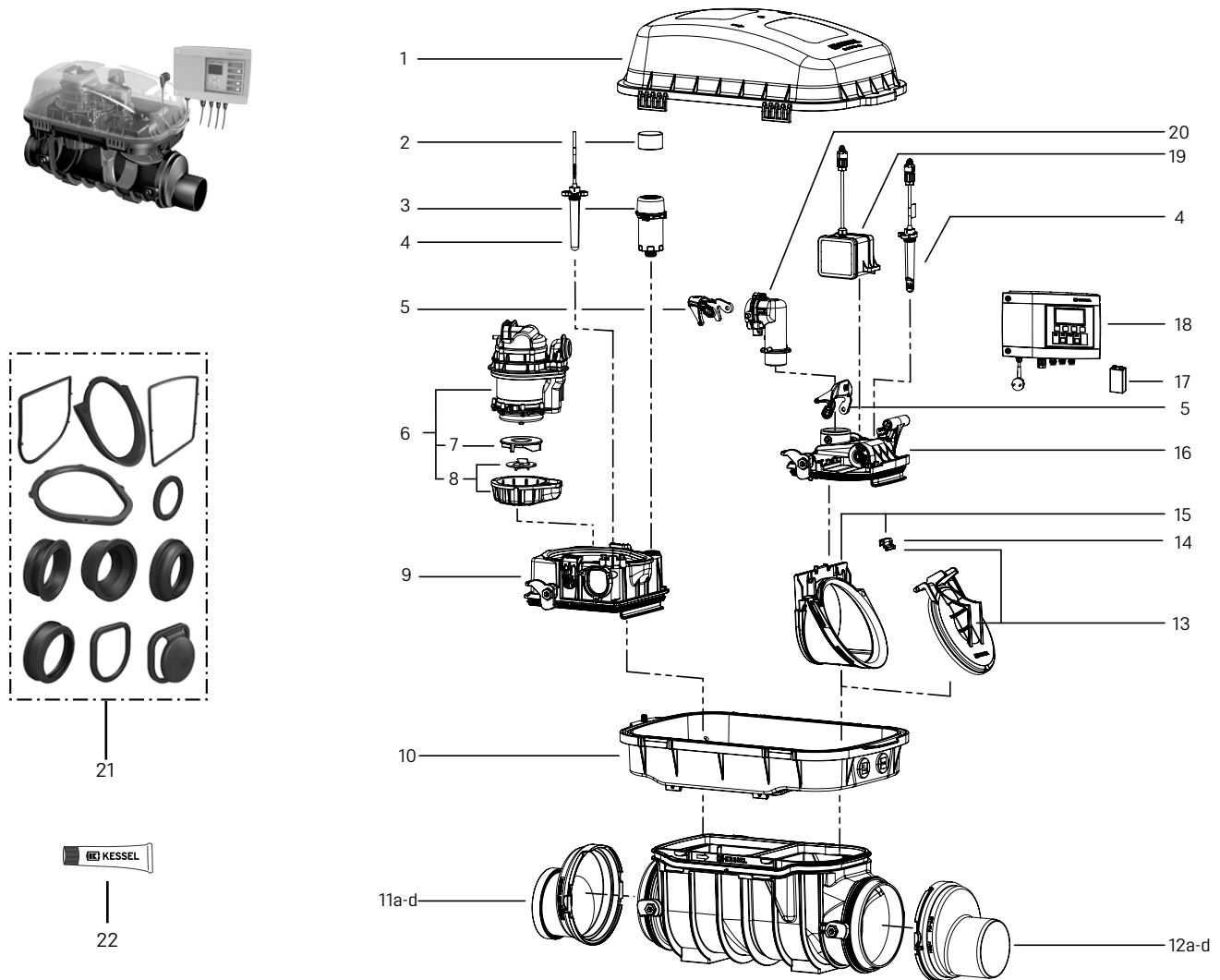


Backwater pumping station *Pumpfix F*

Installation in an exposed wastewater pipe, beginning model year 01/2011



Item	Designation	Art. no.	Item	Designation	Art. no.
1	Protective cover, transparent	83 031	12	Spigot incl. seal	
2	Activated carbon filter (5 ea.)	28 061	12a	Ø 110	83 081
3	Ventilation with activated carbon filter	28 060	12b	Ø 125	83 082
4	Spare parts set, optical probe, 5 m cable, with 3 adapters	80 888	12c	Ø 160	83 083
5	One-handed closure for backflow preventer	680 018	12d	Ø 200	83 084
6	Replacement pump KTP/SPZ 1000, 230 V, with 5 m cable	28 351	13	Motor-driven backwater flap, with flap holder	80 038
7	Impeller KTP/SPZ 1000, without intake cover	680 035	14	Flap holder	680 101
8	Replacement macerator set	28 075	15	Slide-in flap housing for motor-driven flap with flap holder	80 039
9	Lockable cover, inlet side	28 052	16	Lockable cover, Comfort outlet side	28 056
10	Upper section for attaching a protective cover	83 032	17	Battery, 9 V block	680 034
11	Socket incl. seal		18	Control unit, Comfort 230 V	28 071
11a	Ø 110	83 085	19	Motor, ready to plug in, 5 m cable	80 076
11b	Ø 125	83 086	20	Pressure pipe connection, <i>Pumpfix F</i>	680 104
11c	Ø 160	83 087	21	Seal set for <i>Pumpfix F</i> and <i>Ecolift</i>	70 319
11d	Ø 200	83 088	22	High-performance grease for backwater valves, 12 g	681 001