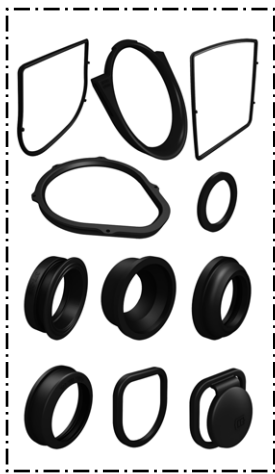


Backwater pumping station *Pumpfix F Standard*

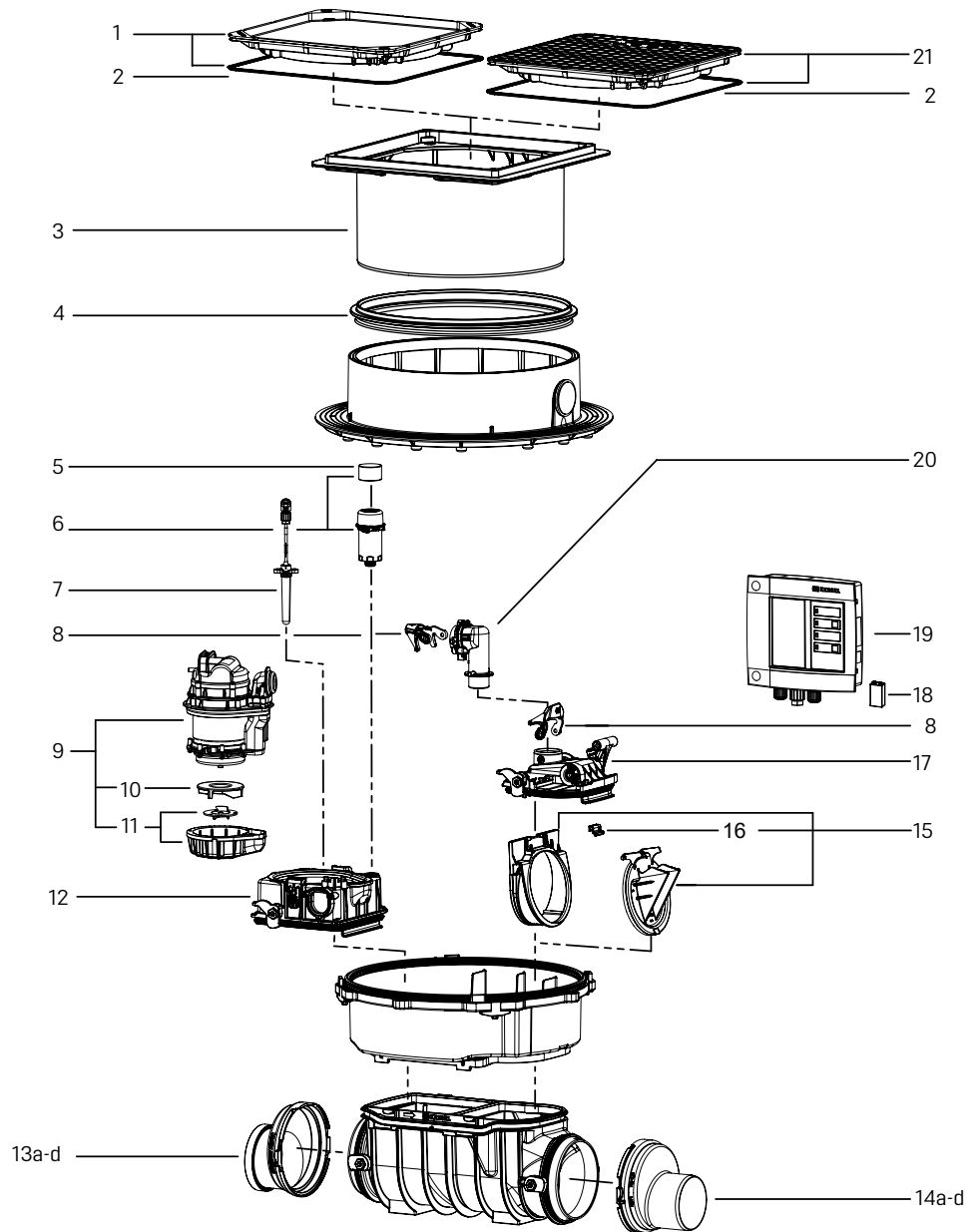
Installation in the floor slab, up to model year 01/2011



22



23



Item	Designation	Art. no.	Item	Designation	Art. no.
1	Cover plate, tileable, surface water resistant, 384 × 384 mm with seal	83 052	13d	Ø 200	83 088
2	Seal for cover plate 384 × 384 mm	680 025	14	Spigot incl. seal	
3	Upper section, height-adjustable up to 180 mm	83 061	14a	Ø 110	83 081
4	Seal for upper section	680 026	14b	Ø 125	83 082
5	Activated carbon filter (5 ea.)	28 061	14c	Ø 160	83 083
6	Ventilation incl. activated carbon filter	28 060	14d	Ø 200	83 084
7	Spare parts set, optical probe, 5 m cable, with 3 adapters	80 888	15	Slide-in flap housing with mechanical flap and flap holder	80 041
8	One-handed closure for backflow preventer	680 018	16	Flap holder	680 101
9	Replacement pump KTP/SPZ 1000, 230 V, with 5 m cable	28 351	17	Lockable cover, <i>Pumpfix F</i> , outlet side	28 053
10	Impeller KTP/SPZ 1000, without intake cover	680 035	18	Battery, 9 V block	680 034
11	Replacement macerator set	28 075	19	Control unit, Standard 230 V, <i>Pumpfix F Standard</i>	28 073
12	Lockable cover, inlet side	28 052	20	Pressure pipe connection, <i>Pumpfix F</i>	680 104
13	Socket incl. seal		21	Cover plate, black, surface water resistant, 384 × 384 mm, with seal	83 050
13a	Ø 110	83 085	22	Seal set for <i>Pumpfix F</i> and <i>Ecolift</i>	70 319
13b	Ø 125	83 086	23	High-performance grease for backwater valves, 12 g	681 001
13c	Ø 160	83 087			