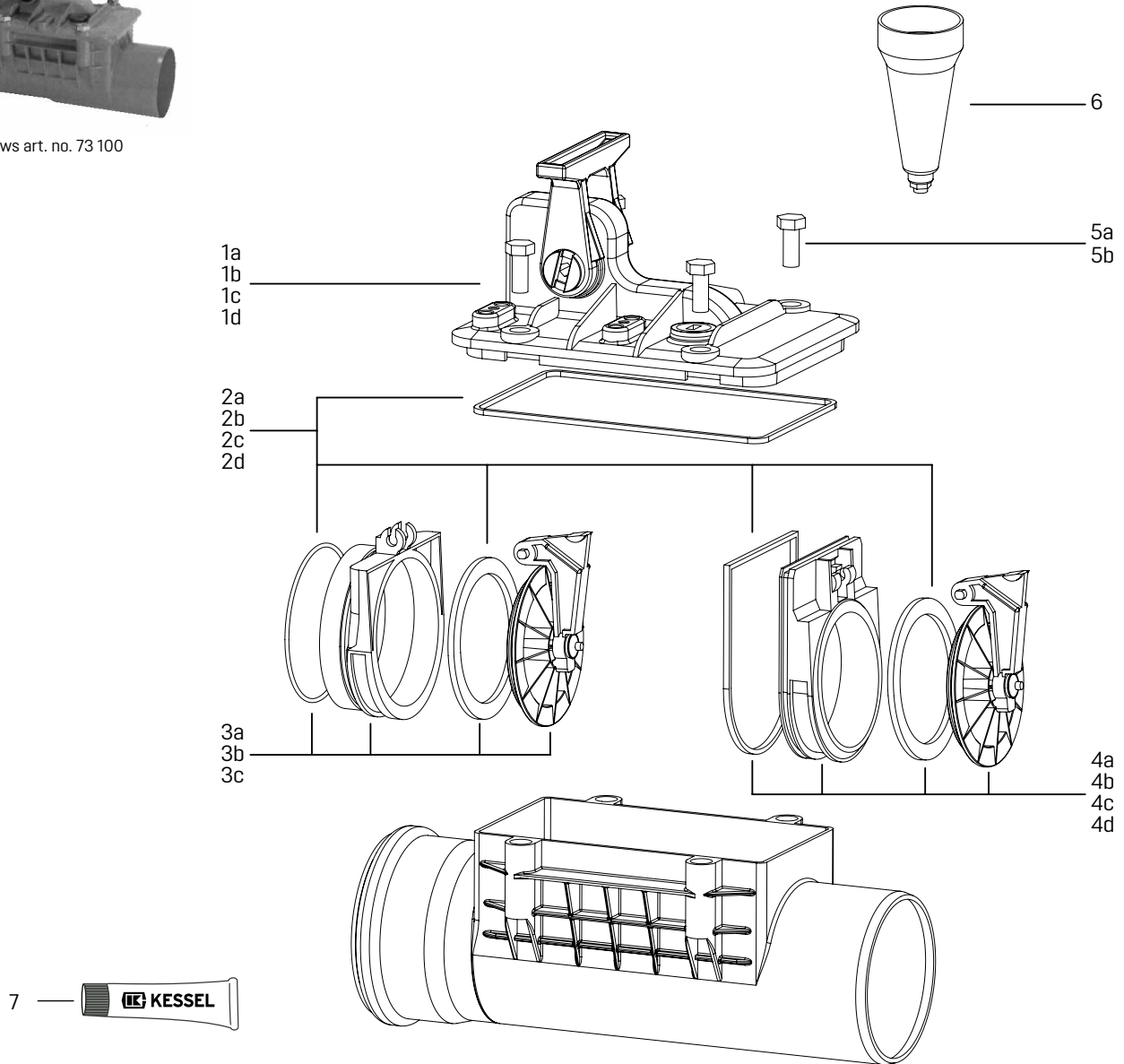


Backwater valve *Staufix Basic*

Installation in an exposed wastewater pipe, up to model year 03/2005, orange



Figure shows art. no. 73 100



Item	Designation	Art. no.
1	Lockable cover <i>Staufix</i> , with emergency closure, without screws	
1a	Ø 110	70 103
1b	Ø 125	70 128
1c	Ø 160	70 153
1d	Ø 200	70 203
2	Seal set <i>Staufix</i>	
2a	Ø 110	70 115
2b	Ø 125	70 116
2c	Ø 160	70 117
2d	Ø 200	70 118
3	Push-in flap housing with flap and seal	
3a	Ø 110	70 104

Item	Designation	Art. no.
3b	Ø 125	70 129
3c	Ø 160	70 154
4	Slide-in flap housing with flap and seal	
4a	Ø 110	70 105
4b	Ø 125	70 130
4c	Ø 160	70 155
4d	Ø 200	70 205
5a	Screw for lockable cover Ø 110 – 160 (1 ea.)	70 106
5b	Screw for lockable cover Ø 200 (1 ea.)	680 008
6	Test funnel with seal	70 214
7	High-performance grease for backwater valves, 12 g	681 001