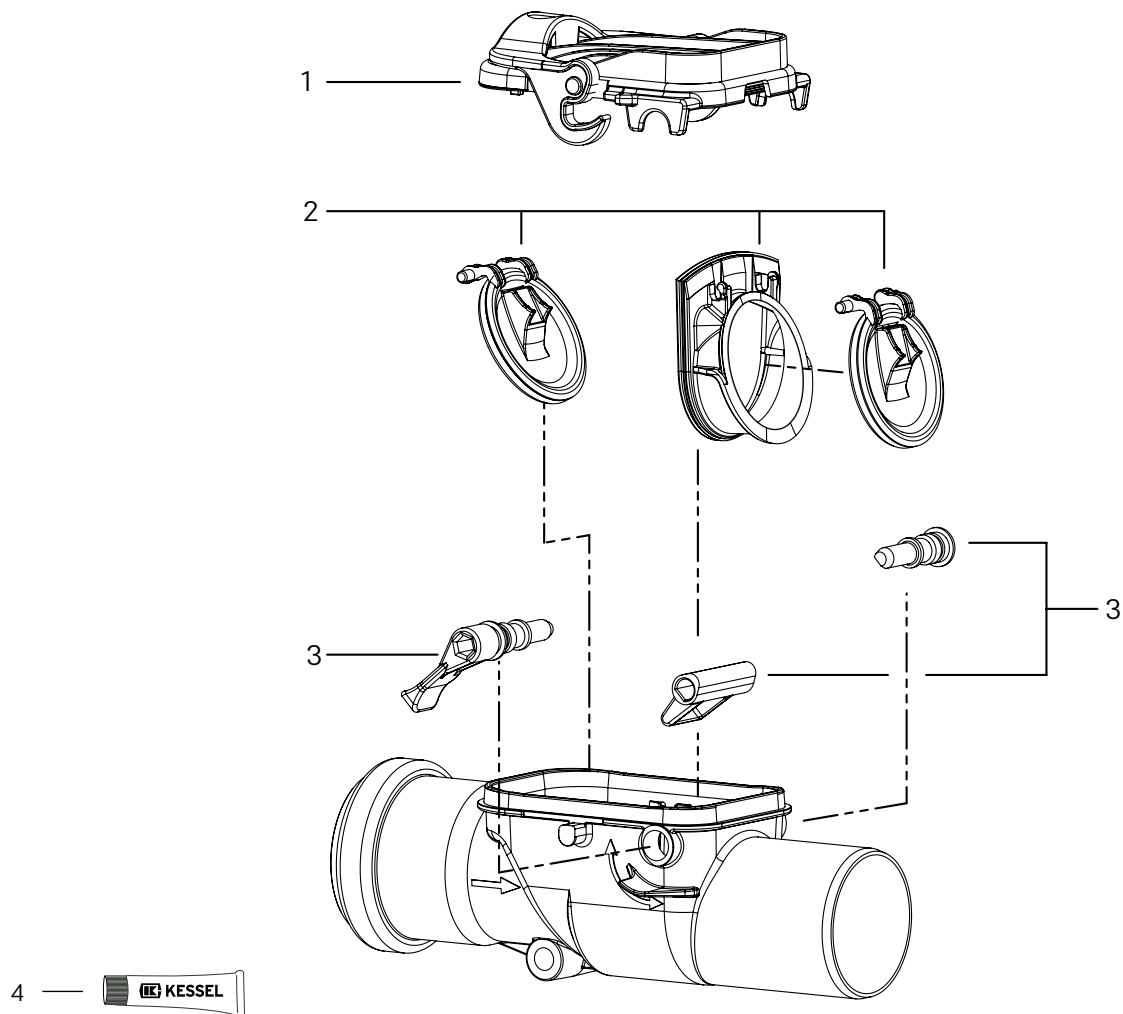


Backwater valve *Staufix* Ø 50

Installation in an exposed wastewater pipe



Item	Designation	Art. no.
1	Lockable cover Ø 50, with seal	70 053
2	Flap set Ø 50, slide-in flap housing with two flaps	70 055
3	Emergency closure lever, bolt, locking device and 2 × O-ring	70 056
4	High-performance grease for backwater valves, 12 g	681 001

Item	Designation	Art. no.
------	-------------	----------