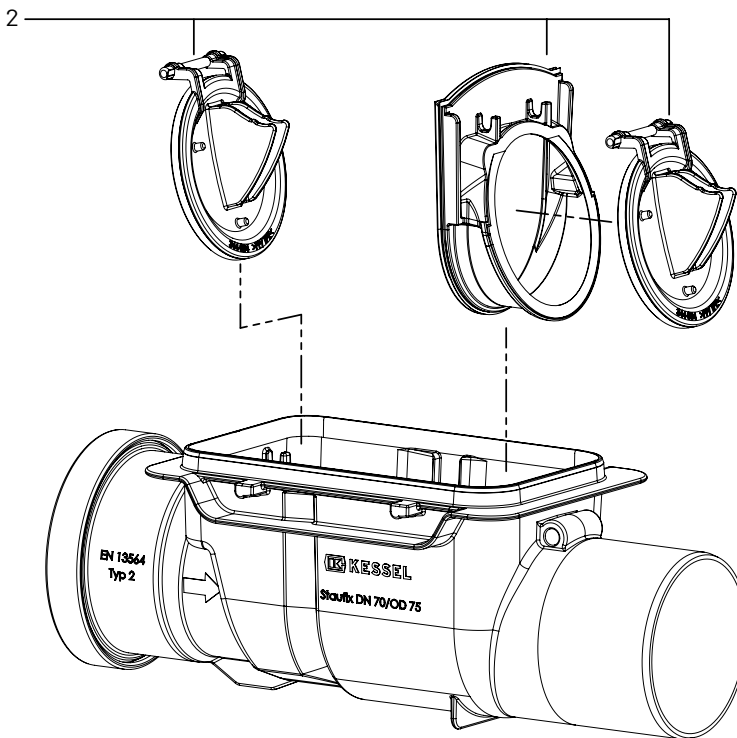
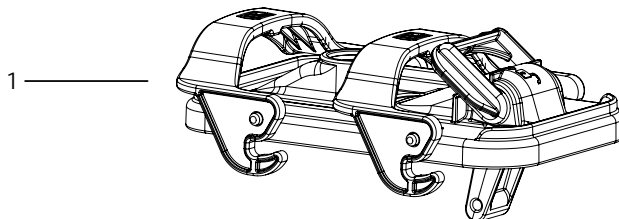


Backwater valve *Staufix* Ø 75

Installation in an exposed wastewater pipe



| Item | Designation | Art. no. |
|------|---|----------|
| 1 | Lockable cover with emergency closure and seal | 70 073 |
| 2 | Flap set Ø 75, slide-in flap housing with two flaps | 70 075 |
| 3 | High-performance grease for backwater valves, 12 g | 681 001 |

Item Designation Art. no.