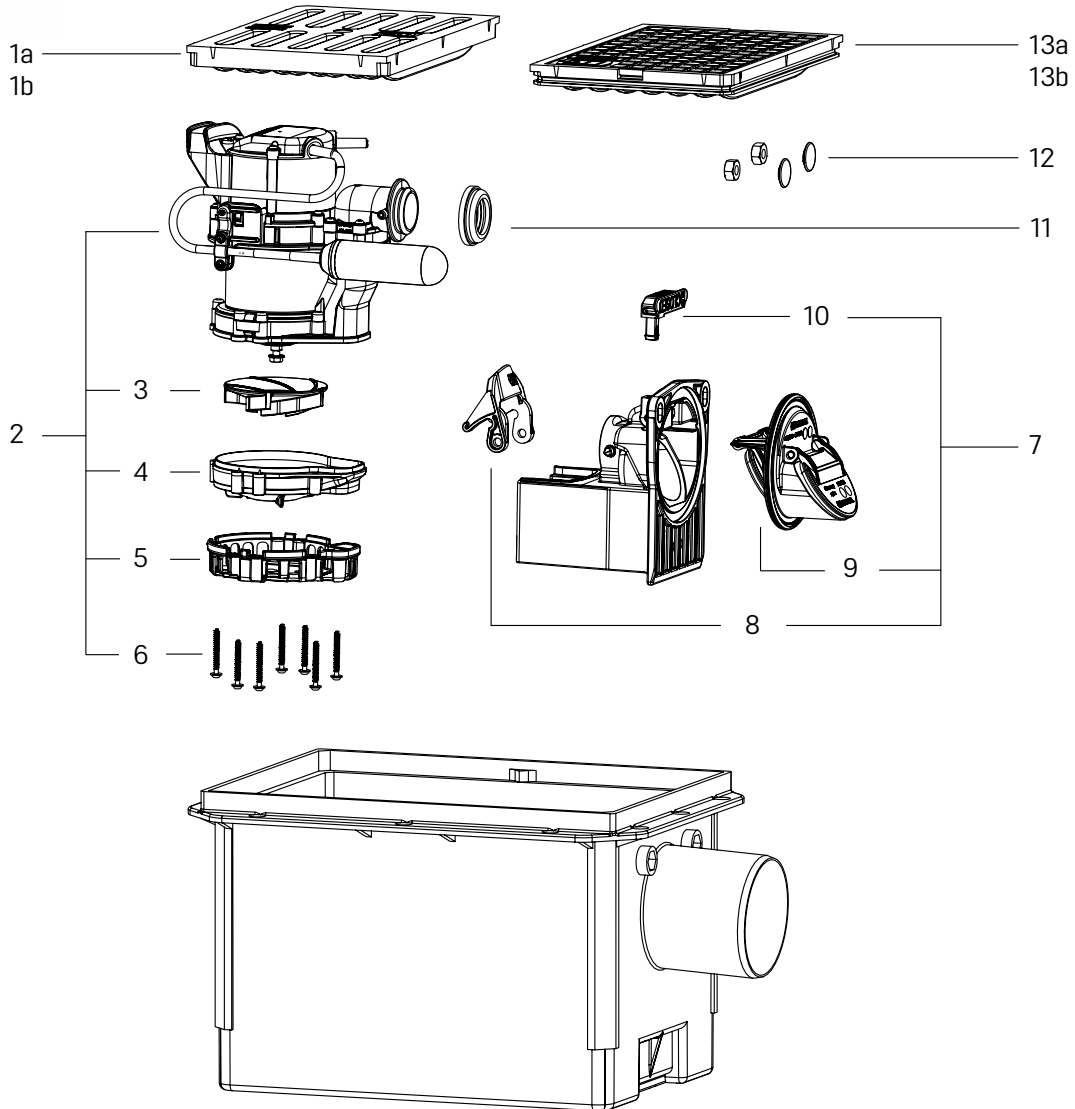


Backwater pumping station *Pumpfix S*

Installation in the floor slab, beginning model year 02/2020



Item	Designation	Art. no.
1	Slotted grating	
1a	Polymer, white, 276 × 191 mm	30 001W
1b	made of polymer, black, 276 × 191 mm	30 001S
2	Replacement pump GTF 500 with float switch	680 828
3	Multi-vane impeller for GTF 500	680 767
4	Spiral housing for GTF 500	680 768
5	Intake cage for GTF 500	680 770
6	Screw set for intake cage GTF 500	680 769
7	Flap housing with 2 backwater flaps and emergency closure	680 829

Item	Designation	Art. no.
8	One-handed closure for backflow preventer	680 018
9	Slide-in flap housing with two backwater flaps	680 884
10	Emergency closure lever for flap housing, incl. seals	680 883
11	Seal for pressure pipe connection	680 067
12	Wing and hexagon nut set comprising 2× M8 and 2× M10	680 830
13	Cover plate	
13a	white 276 × 191 mm	30 003W
13b	black 276 × 191 mm	30 003S
14	High-performance grease for backwater valves, 12 g	681 001