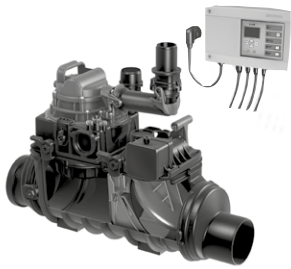


Backwater lifting station *Ecolift*

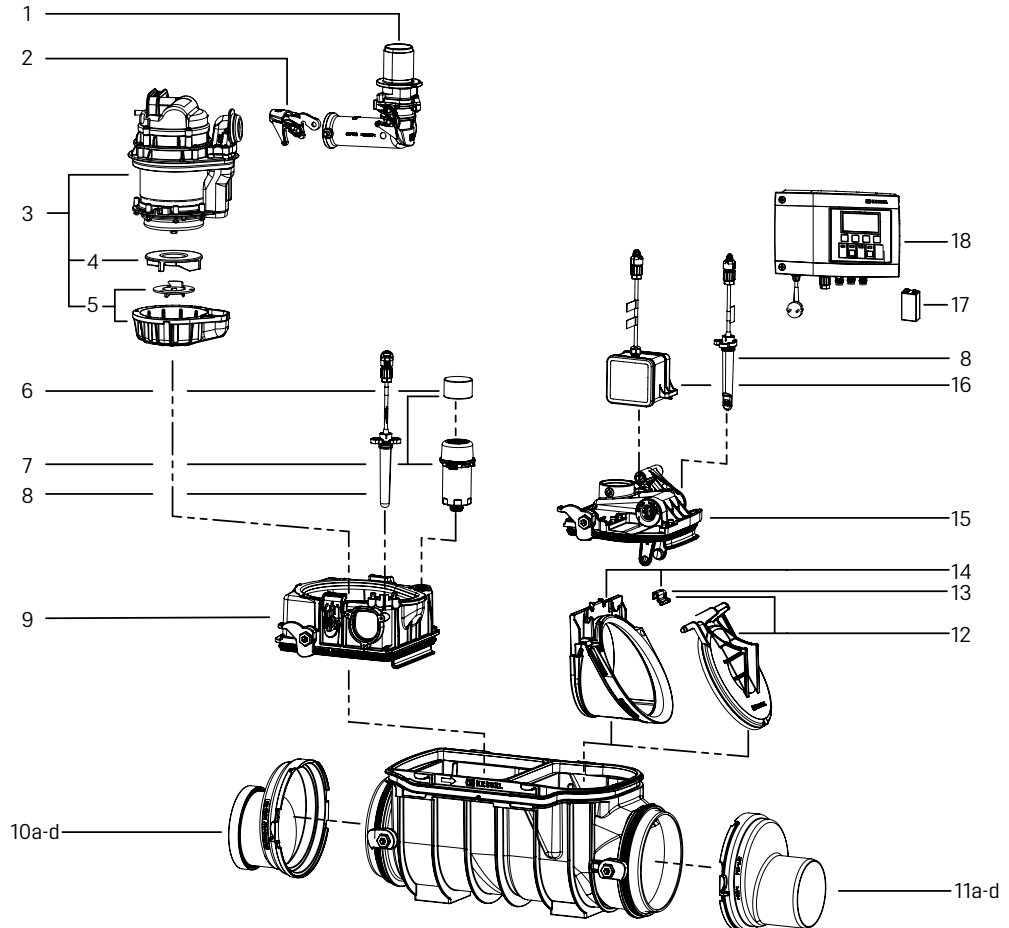
Installation in an exposed wastewater pipe



19



20



Item	Designation	Art. no.	Item	Designation	Art. no.
1	Pressure pipe connection <i>Ecolift</i> , installation in an exposed wastewater pipe	680 102	11	Spigot incl. seal	
2	One-handed closure for backflow preventer	680 018	11a	Ø 110	83 081
3	Replacement pump KTP/SPZ1000 230 V, with 5 m cable	28 351	11b	Ø 125	83 082
4	Impeller KTP/SPZ 1000, without intake cover	680 035	11c	Ø 160	83 083
5	Replacement macerator set	28 075	11d	Ø 200	83 084
6	Activated carbon filter (5 ea.)	28 061	12	Motor-driven backwater flap, with flap holder	80 038
7	Ventilation incl. activated carbon filter	28 060	13	Flap holder for motor-driven and mechanical flap	680 101
8	Spare parts set, optical probe, 5 m cable with 3 adapters	80 888	14	Slide-in flap housing for motor-driven flap, with flap holder	80 039
9	Lockable cover Comfort, inlet side, with drain connection	28 052	15	Lockable cover <i>Ecolift</i> , outlet side	21 056
10	Socket incl. seal		16	Motor, ready to plug in, 5 m cable	80 076
10a	Ø 110	83 085	17	Battery, 9 V block	680 034
10b	Ø 125	83 086	18	Control unit, Comfort 230 V, <i>Ecolift</i> and <i>Pumpfix F</i>	28 071
10c	Ø 160	83 087	19	Seal set for <i>Pumpfix F</i> and <i>Ecolift</i>	70 319
10d	Ø 200	83 088	20	High-performance grease for backwater valves, 12 g	681 001