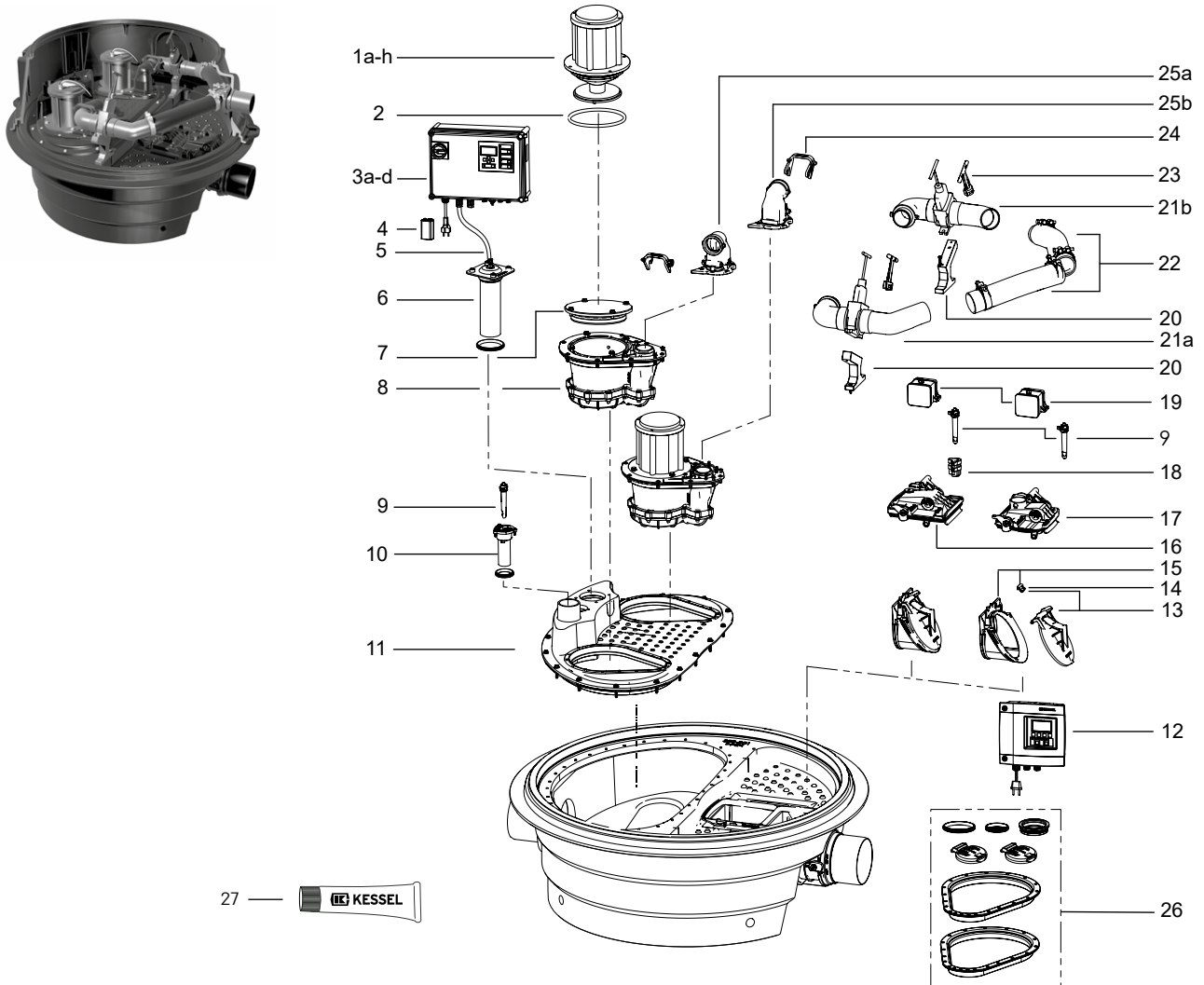


Technical module *Ecolift XL*

Minimum depth installation in concrete slab, with two motor-driven flaps



Item	Designation	Art. no.	Item	Designation	Art. no.
1	Motor (with 10 m cable)		10	Splash protection set for optical probe	28 706
1a	230 V, SPF 1400 S3	680 218	11	Pump plate	680 399
1b	230 V, SPF 1400 S1	680 219	12	Control unit <i>Ecolift XL</i> Type 6 for redundant closure	28 791
1c	400 V, SPF 1500 S3	680 098	13	Motor-driven backwater flap, with flap holder	80 038
1d	400 V, SPF 1500 S1	680 445	14	Flap holder for motor-driven and mechanical flap	680 101
1e	400 V, SPF 3000 S3	680 524	15	Slide-in flap housing for motor-driven flap, with flap holder	80 039
1f	400 V, SPF 3000 S1	680 444	16	Lockable cover, <i>Ecolift XL</i> inlet side	680 390
1g	400 V, SPF 4500 S3	680 442	17	Lockable cover, <i>Ecolift XL</i> outlet side	680 391
1h	400 V, SPF 4500 S1	680 443	18	Height adapter for <i>Ecolift XL</i> optical probe	680 379
2	Seal for SPF 1400 – SPF 4500	680 052	19	Motor for connecting, 10 m cable	680 452
3	Control unit		20	Support rib for shut-off valve, slanted support	680 403
3a	Comfort PLUS 400 V 2.5 – 4.0 A	28 786	21	Pressure pipe with shut-off valve in flow direction	
3b	Comfort PLUS 400 V 4.0 – 6.3 A	28 787	21a	Sloped right-hand version	680 402
3c	Comfort PLUS 400 V 6.3 – 10.0 A	28 788	21b	Sloped left-hand version	680 401
3d	Comfort PLUS 230 V 6.3 – 10.0 A	28 790	22	Pressure hose Ø 63, L: 367 mm	680 400
4	Battery, 9 V block	680 034	23	Fastening clip for shut-off valve Ø 63	680 386
5	Pressure hose, 6x4 mm 100 natural (sold by the metre)	680 071	24	One-handed closure, quick-release closure Ø 63	680 380
6	Immersion pipe for <i>Ecolift XL</i> , 180 mm	680 827	25	Backflow preventer with non-return flap	
7	Cover for pump flange, d: 220 mm	680 460	25a	in flow direction, right	680 382
8	Pump flange	680 398	25b	in flow direction, left	680 381
9	Spare parts set, optical probe with three adapters, 10 m cable	680 455	26	Seal set <i>Ecolift XL</i>	680 418
			27	High-performance grease for backwater valves, 12 g	681 001