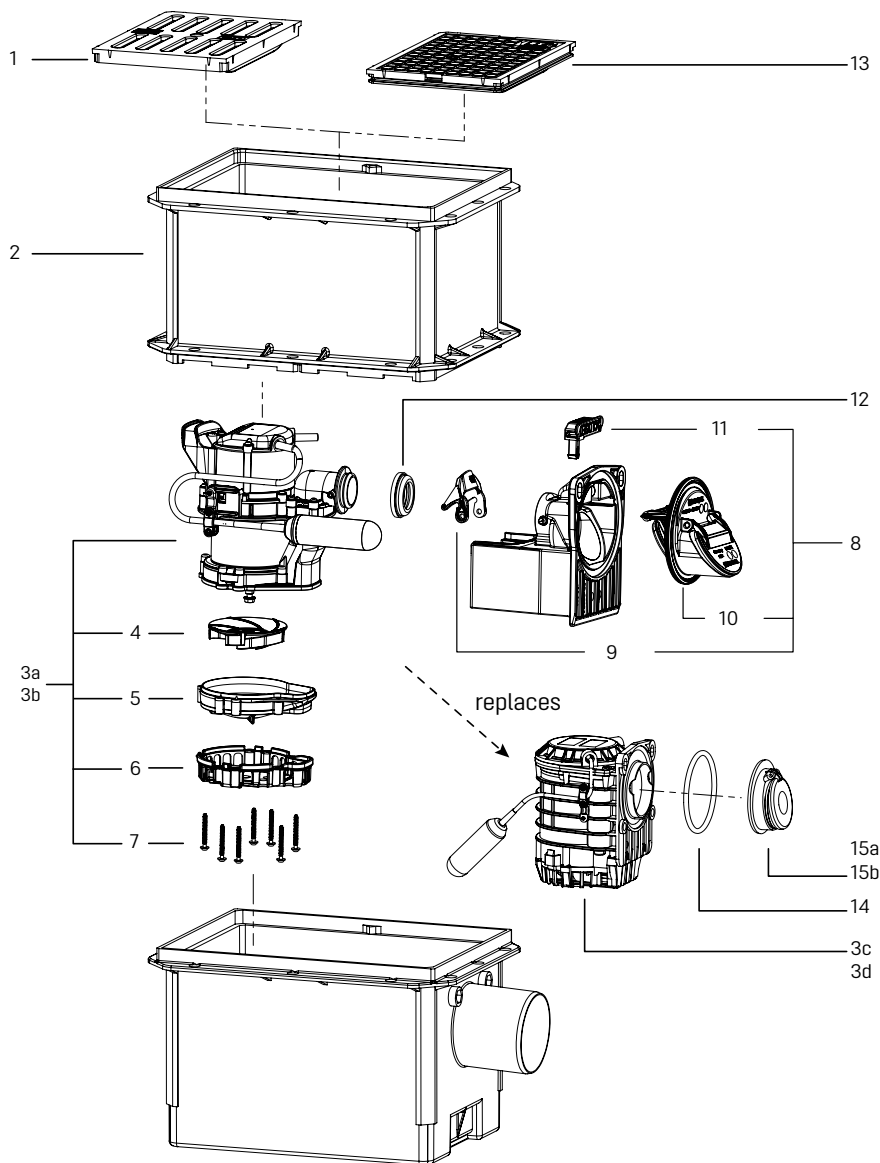


Lifting station *Aqualift S*

Installation in the floor slab, up to model year 12/1995



| Item | Designation | Art. no. |
|------|--|--------------|
| 1 | Slotted grating 276 × 191 mm, made of polymer, black | 30 001S |
| 2 | Upper section, size 3, H: 220 mm | 32 500 |
| 3a | Replacement pump GTF 500, with float switch | 680 828 |
| 3b | Replacement pump GTF 500 for <i>Aqualift S</i> in box | 680 879 |
| 3c | Replacement pump, <i>Aqualift S</i> up to model year 12/1995 | * |
| 3d | Replacement pump, <i>Aqualift S</i> Tronic up to model year 12/1995 also required: control unit, Comfort <i>Aqualift Mono</i> , 230 V | ** 28 731 |
| 4 | Multi-vane impeller for GTF 500 | 680 767 |
| 5 | Spiral housing for GTF 500 | 680 768 |
| 6 | Intake cage for GTF 500 | 680 770 |

| Item | Designation | Art. no. |
|------|--|----------|
| 7 | Screw set for intake cage GTF 500 | 680 769 |
| 8 | Flap housing with 2 backwater flaps and emergency closure | 680 829 |
| 9 | One-handed closure for backflow preventer | 680 018 |
| 10 | Slide-in flap housing with two backwater flaps | 680 884 |
| 11 | Emergency closure lever for flap housing, incl. seals | 680 883 |
| 12 | Seal for pressure pipe connection | 680 067 |
| 13 | Cover plate, black (276 × 191 mm) | 30 004S |
| 14 | Rolling ring seal Ø 110 | 680 001 |
| 15a | Non-return flap <i>Aqualift S</i> up to model year 12/1995 | 28 005 |
| 15b | Non-return flap with 2 flaps, up to model year 12/1995 | 28 006 |

* In case of pump replacement, the successor pump (art. no. 680 828) and successor adapter (art. no. 680 829) are required.

** In case of pump replacement, the successor pump (art. no. 680 879) and successor adapter (art. no. 680 829) are required.