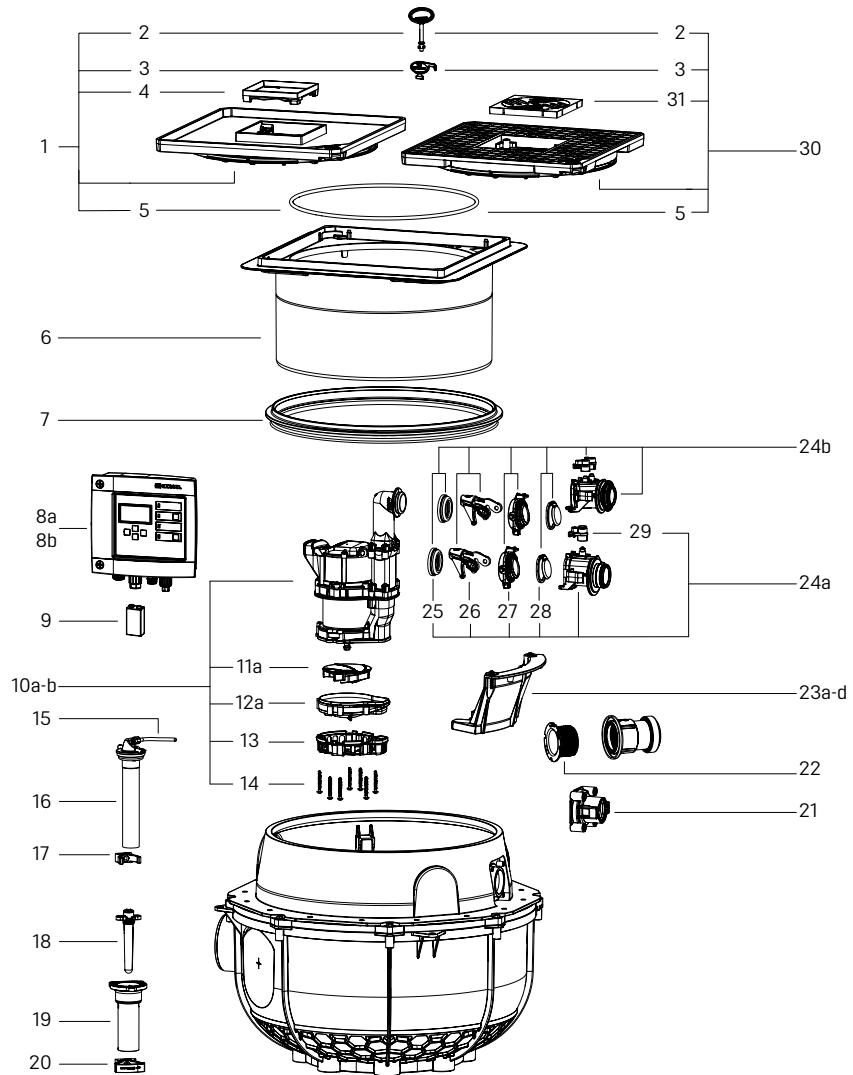
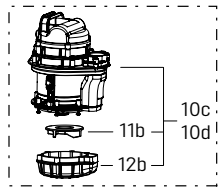
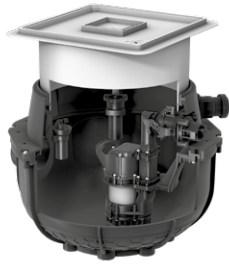


Lifting station *Aqualift S Compact Mono/Duo Tronic*

Installation in the floor slab, beginning model year 05/2019



| Item | Designation | Art. no. | Item | Designation | Art. no. |
|------|--|----------|------|--|----------|
| 1 | Cover plate, tileable, with drain, stone grey, with seal | 830 054 | 16 | Pressure sensor with 5 m hose | 680 776 |
| 2 | Locking key for <i>Lock & Lift</i> with cover plates | 67 007 | 17 | Fixing for pressure sensor | 680 777 |
| 3 | Release key for <i>Lock & Lift</i> insert gratings | 680 702 | 18 | Optical probe with 3 adapters, 5 m cable | 80 888 |
| 4 | Drain cover, tileable, <i>Lock & Lift</i> , ABS | 680 224 | 19 | Splash protection set for optical probe | 28 706 |
| 5 | Seal for cover plate, System 330 mm | 686 114 | 20 | Fixing for probe | 680 778 |
| 6 | Upper section, System 400, stone grey, locked, height up to 170 mm | 830 065 | 21 | Pressure pipe connection with screws | 680 758 |
| 7 | Profiled lip seal for upper section | 680 150 | 22 | Inlet connection made of polymer Ø 50 | 39 005 |
| 8a | Control unit, Comfort Aqualift Mono, 230 V | 28 731 | 23a | Pump hanger for pump GTF 500 and GTF 500 resistant | 680 771 |
| 8b | Control unit, Comfort Aqualift Duo, 230 V | 28 746 | 23b | Pump hanger for pump GTF 1200 | 680 772 |
| 9 | Battery, 9 V block | 680 634 | 23c | Pump hanger for GTF 500 Duo pump | 680 779 |
| 10a | Replacement pump GTF 500 | 680 773 | 23d | Pump hanger for GTF 1200 Duo pump | 680 780 |
| 10b | Replacement pump GTF 500 resistant | 680 774 | 24a | Flap housing, Mono, with pump connection | 680 761 |
| 10c | Replacement pump GTF 1200 | 680 775 | 24b | Flap housing, Duo, with pump connection | 680 781 |
| 10d | Replacement pump GTF 1200 resistant | 680 952 | 25 | Seal for pressure pipe connection | 680 067 |
| 11a | Multi-vane impeller for GTF 500 and GTF 500 resistant | 680 767 | 26 | One-handed closure for backflow preventer | 680 018 |
| 11b | Impeller for GTF 1200, ball passage 30 mm | 680 366 | 27 | Pump connection | 680 760 |
| 12a | Spiral housing for GTF 500 and for GTF 500 resistant | 680 768 | 28 | Seal for pump coupling with flap | 680 475 |
| 12b | Spiral housing for GTF 1200 | 680 363 | 29 | Turn fastener for pump connection lock | 680 762 |
| 13 | Intake cage for GTF 500 and GTF 500 resistant | 680 770 | 30 | Cover plate, black, with slotted grating and seal | 830 053 |
| 14 | Screw set for intake cage GTF 500 | 680 769 | 31 | Slotted insert grating, 138 × 138 mm, polymer | 60 101S |
| 15 | Pressure hose, 6 × 4 mm, 100 natural (sold by the metre) | 680 071 | | | |