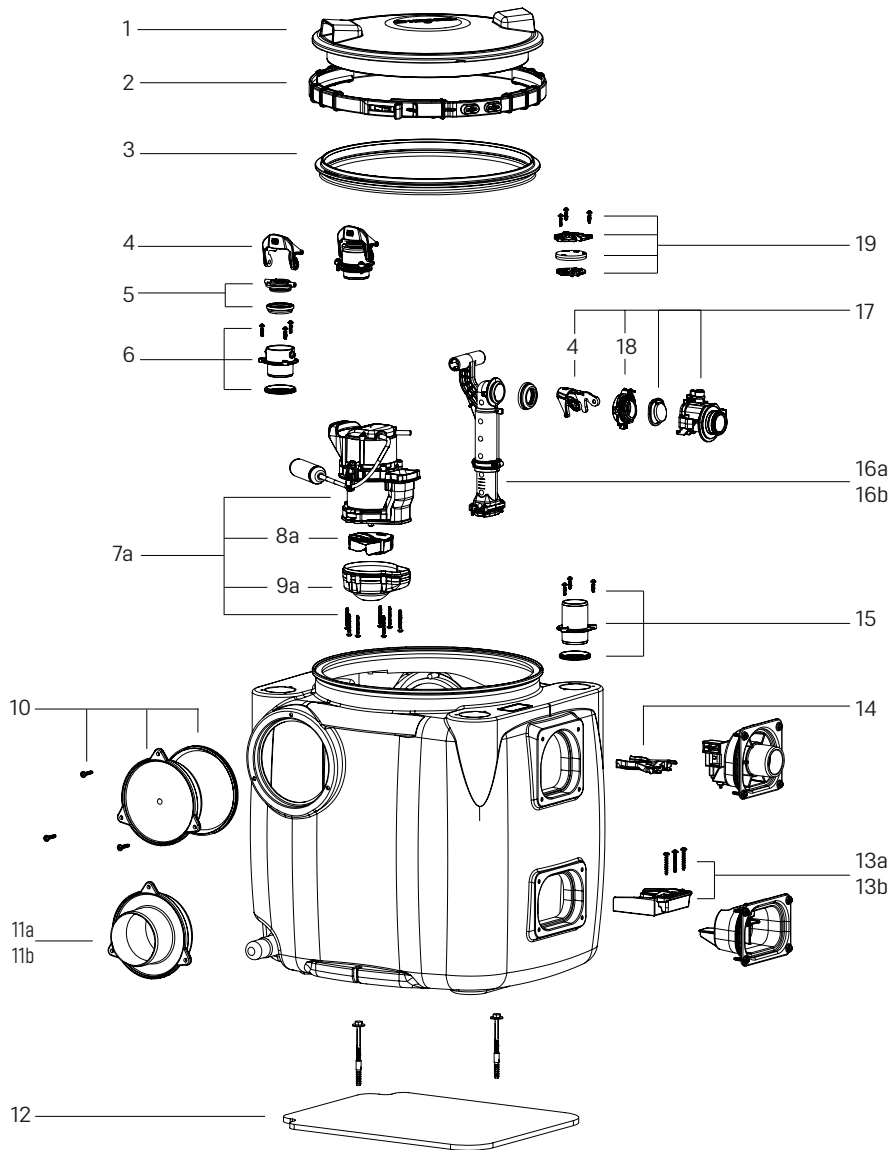
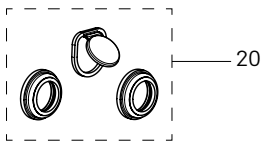
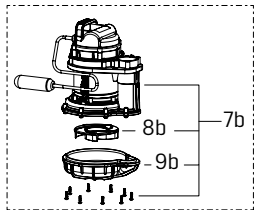


Lifting station *Aqualift S 100 Mono*

Free-standing installation



Item	Designation	Art. no.	Item	Designation	Art. no.
1	Cover	680 326	11	Inlet connection	
2	Clamp fastener for cover	680 975	11a	Ø 110 for <i>Aqualift S 100/200</i>	680 986
3	Seal	680 150	11b	Ø 150 for <i>Aqualift S 100/200</i>	680 987
4	One-handed closure for backflow preventer	680 018	12	Sound absorbing mat for <i>Aqualift S 100</i>	680 990
5	Cover with seal	680 076	13	Pump hanger with screws	
6	Immersion pipe connector for <i>Aqualift S 100/200</i>	680 985	13a	for GTF 600 Mono	680 967
7	Replacement pump with 5 m cable		13b	for GTF 1250 Mono	680 968
7a	GTF 600 with float switch for <i>Aqualift S 100/200</i>	680 976	14	Holder pressure pipe for <i>Aqualift S</i>	680 969
7b	GTF 1250 with float switch for <i>Aqualift S 100/200</i>	680 978	15	Ventilation connector Ø 50 for <i>Aqualift S 100</i> incl. screws and seal	680 982
8	Impeller		16a	Pressure pipe Ø 32 for <i>Aqualift S 100</i> GTF 600	680 983
8a	GTF 600 for <i>Aqualift S 100/200</i>	680 887	16b	Pressure pipe Ø 32 for <i>Aqualift S 100</i> GTF 1250	680 984
8b	GTF 1250 for <i>Aqualift S 100/200</i>	680 804	17	Flap housing Mono, with pressure pipe connection	680 761
9	Spiral housing		18	Pressure pipe connection	680 760
9a	GTF 600 for <i>Aqualift S 100/200</i>	680 888	19	Cable entry for <i>Aqualift S 100/200</i>	680 981
9b	GTF 1250 for <i>Aqualift S 100/200</i>	680 998	20	Seal set for <i>Aqualift S</i> Mono	680 490
10	Blind cover for <i>Aqualift S 100/200</i> with screws and seal	680 980			