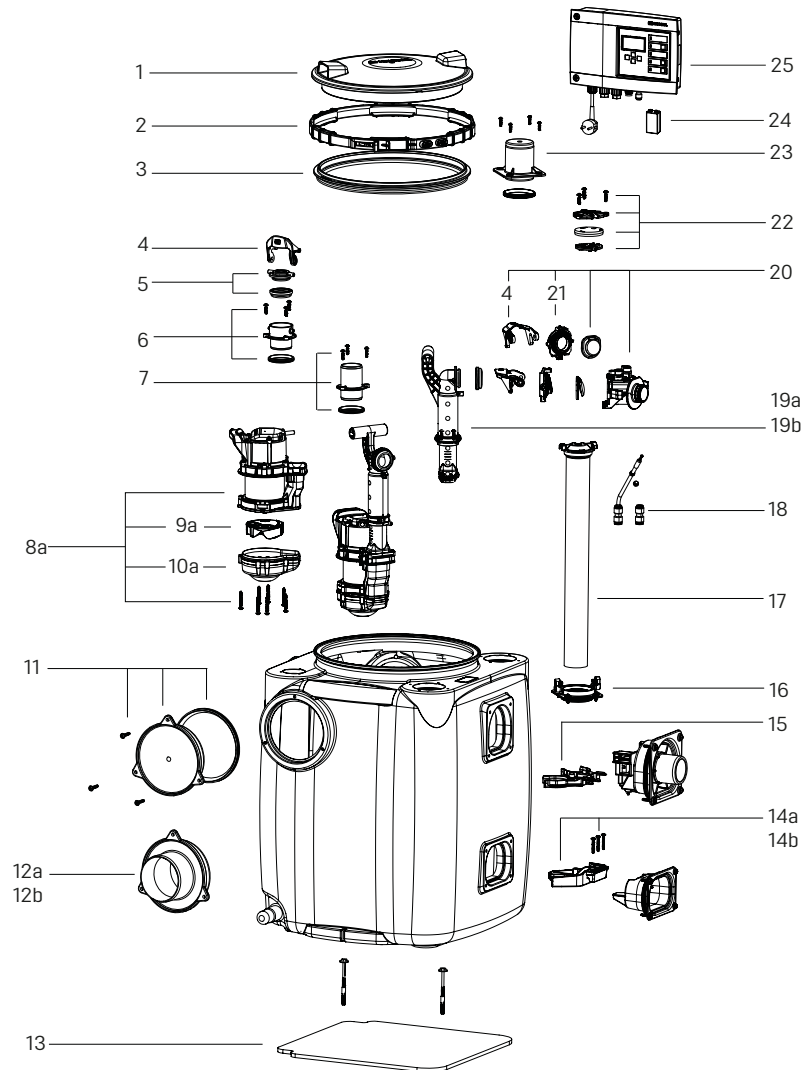
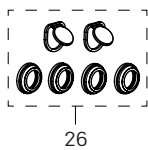
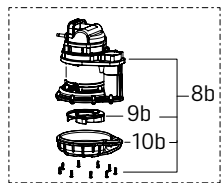


Lifting station *Aqualift S 200 Tronic Duo*

Free-standing installation



| Item | Designation | Art. no. |
|------|---|----------|
| 1 | Cover | 680 326 |
| 2 | Clamp fastener for cover | 680 975 |
| 3 | Seal | 680 150 |
| 4 | One-handed closure for backflow preventer | 680 018 |
| 5 | Cover with seal | 680 076 |
| 6 | Immersion pipe connector for <i>Aqualift S 100/200</i> | 680 985 |
| 7 | Ventilation connector spigot Ø 75 for <i>Aqualift S 200</i> incl. screws and seal | 680 994 |
| 8 | Replacement pump | |
| 8a | GTF 600 without float switch for <i>Aqualift S 100/200</i> | 680 977 |
| 8b | GTF 1250 without float switch for <i>Aqualift S 100/200</i> | 680 979 |
| 9 | Impeller | |
| 9a | GTF 600 for <i>Aqualift S 100/200</i> | 680 887 |
| 9b | GTF 1250 for <i>Aqualift S 100/200</i> | 680 804 |
| 10 | Spiral housing | |
| 10a | GTF 600 for <i>Aqualift S 100/200</i> | 680 888 |
| 10b | GTF 1250 for <i>Aqualift S 100/200</i> | 680 998 |
| 11 | Blind cover for <i>Aqualift S 100/200</i> with screws and seal | 680 980 |
| 12 | Inlet connection | |
| 12a | Ø 110 for <i>Aqualift S 100/200</i> | 680 986 |
| 12b | Ø 150 for <i>Aqualift S 100/200</i> | 680 987 |

| Item | Designation | Art. no. |
|------|--|----------|
| 13 | Sound absorbing mat for <i>Aqualift S 200</i> | 680 991 |
| 14 | Pump hanger with screws for <i>Aqualift S</i> | |
| 14a | for GTF 600 Mono | 680 973 |
| 14b | for GTF 1250 Mono | 680 974 |
| 15 | Bracket for pressure pipe for Duo | 680 972 |
| 16 | Immersion pipe connector for <i>Aqualift S 200</i> incl. screws and seal | 680 995 |
| 17 | Immersion pipe for <i>Aqualift S 200</i> | 680 989 |
| 18 | Quick fitting for the pressure hose, with 5 m cable | 680 996 |
| 19 | Pressure pipe | |
| 19a | for <i>Aqualift S 200</i> GTF 600 | 680 992 |
| 19b | for <i>Aqualift S 200</i> GTF 1250 | 680 993 |
| 20 | Flap housing Duo, with pressure pipe connection | 680 781 |
| 21 | Pressure pipe connection | 680 760 |
| 22 | Cable entry for <i>Aqualift S 100/200</i> | 680 981 |
| 23 | Ventilation connector Ø 75 incl. screws and seal | 680 994 |
| 24 | Battery, 9 V block | 680 034 |
| 25 | Control unit Duo | 28 746 |
| 26 | Seal set for <i>Aqualift S Duo</i> | 680 491 |