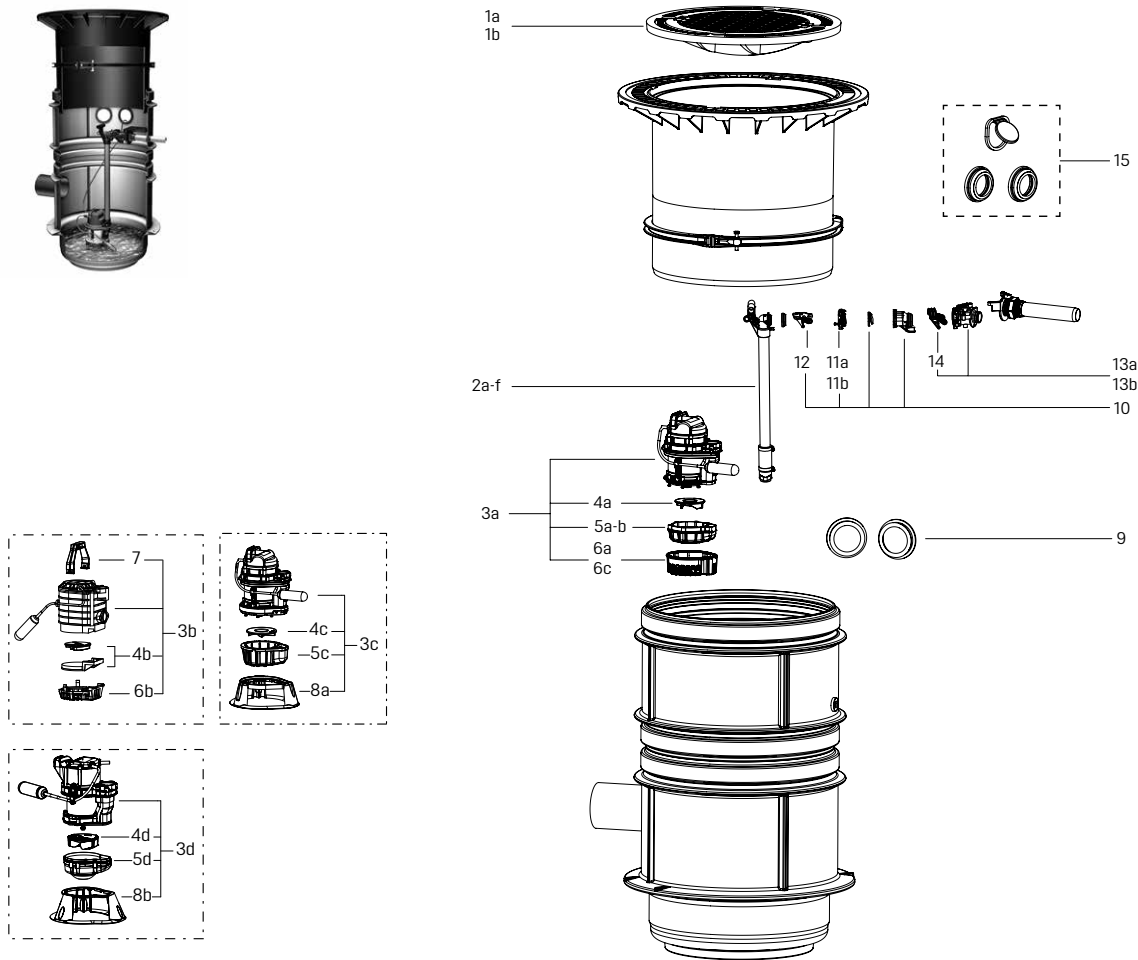


Pumping station *Aqualift S* in the chamber system Ø 600

with float switch, installation in the ground



Item	Designation	Art. no.	Item	Designation	Art. no.
1	Cover plate		5a	for KTP 1000 up to model year 03/2014	680 118
1a	class B, grey cast iron with concrete fill	860 131	5b	for KTP 1000, ball passage 10 mm, beginning model year 04/2014	680 364
1b	class D, grey cast iron, <i>Aqualift S Mono</i>	680 059	5c	for GTF 1200, ball passage 30 mm	680 363
2	Riser (up to model year 01/2016)		5d	for GTF 600, free ball passage 30 mm	680 888
2a	Riser length approx. 200 mm	680 112	6	Intake cage	
2b	Riser length approx. 640 mm	680 113	6a	KTP 1000, with push-fit fastener	680 106
2c	Riser length approx. 1130 mm	680 114	6b	KTP 500 with push-fit fastener	680 004
	Riser (beginning model year 02/2016)		6c	KTP 1000 for faecal-free wastewater, 10 mm	680 361
2d	Riser length approx. 200 mm	680 449	7	Pump handle for submersible pump KTP 500	680 007
2e	Riser length approx. 640 mm	680 450	8a	Pump stand for pumping stations <i>Aqualift S</i>	680 362
2f	Riser length approx. 1130 mm	680 451	8b	Pump stand GTF 600, free ball passage 30 mm	680 889
3	Replacement pump		9	Conduit pipe seal, Ø 110	850 117
3a	KTP 1000 with float switch	28 860	10	Flap holder with non-return flap	680 457
3b	KTP 500	*	11	Pump connection suitable for pumping stations	
3c	GTF 1200 with float switch for pumping station	680 594	11a	up to model year 12/2015	680 065
3d	GTF 600, with float switch	680 880	11b	beginning model year 01/2016	680 476
4	Impeller		12	One-handed closure for backflow preventer	680 018
4a	for KTP 1000, without intake cover, without spiral housing	680 035	13	Pump coupling for <i>Aqualift S Mono</i>	
4b	for KTP 500, with intake cover	28 038	13a	up to model year 01/2016	680 109
4c	for GTF 1200, ball passage 30 mm, without spiral housing	680 366	13b	beginning model year 02/2016	680 479
4d	for GTF 600, free ball passage 30 mm	680 887	14	One-handed closure for threaded connection, black	680 698
5	Spiral housing		15	Seal set for <i>Aqualift S</i> Ø 600/1000, <i>Mono</i>	680 490

* Will be replaced by new pump GTF 600, art. no. 680 880