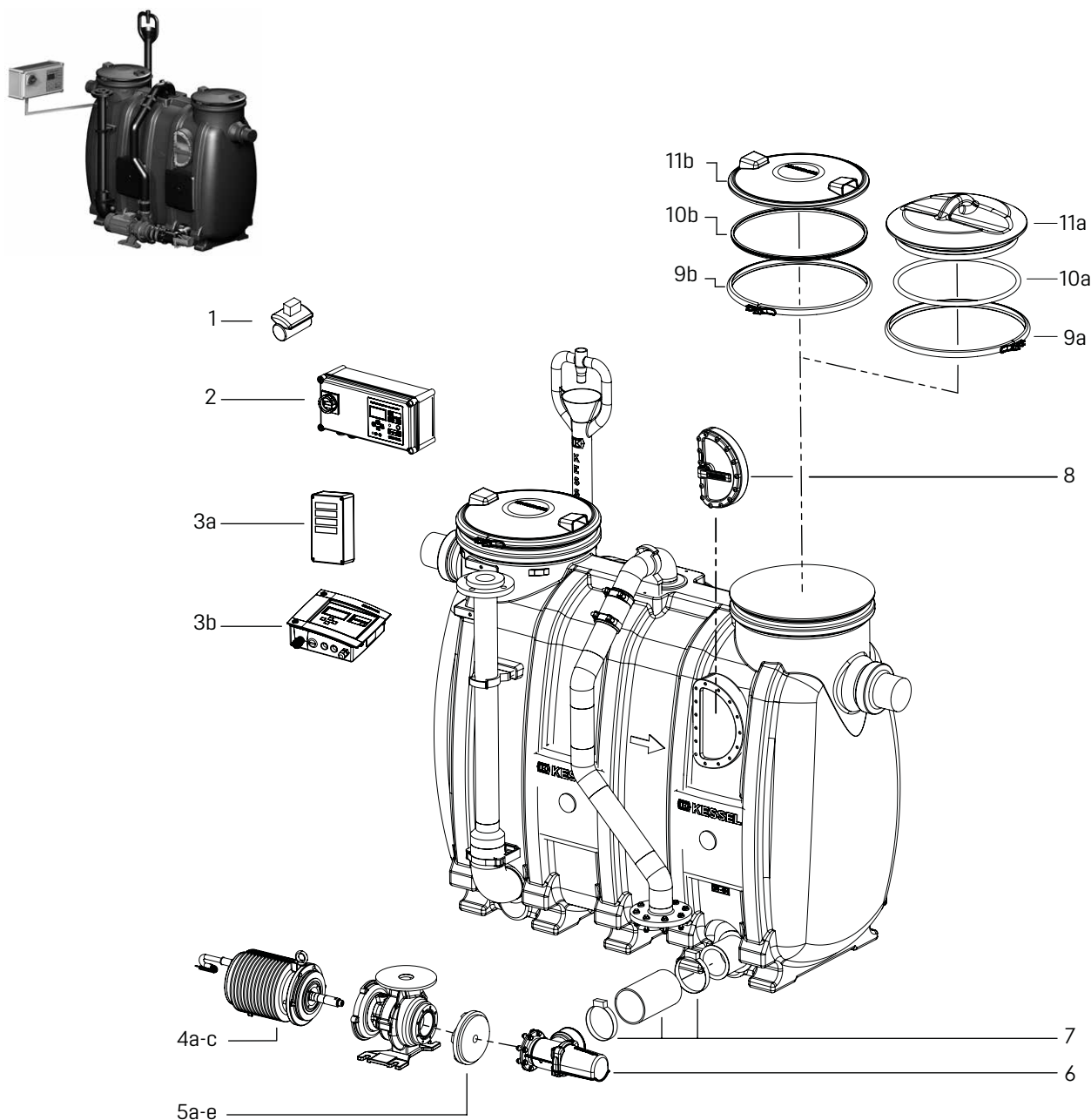


Grease separator Euro "D+S-P1"

Free-standing set-up, up to model year 09/2013



Item	Designation	Art. no.	Item	Designation	Art. no.
1	Solenoid valve 1 inch (1 ea.)	85 047	5e	Cutting plate for 3.0 kW	917 855
2	Control unit Auto Mix, 4.0 kW	680 343	6	Shut-off valve Ø 110, polymer, horizontal	28 683
3	<i>RemoteControl</i>		7	Flexible coupling Ø 110, for pressure pipes (hose with 2 clamps)	28 663
3a	up to model year 05/2011	on request	8	Inspection window for Euro grease separator	680 589
3b	beginning model year 06/2011	916 601	9	Clamp fastener	
4	Replacement pump		9a	for cover Ø 420, up to model year 03/2004	680 325
4a	SPF 260 KE, 2.6 kW	680 330	9b	for cover Ø 420, beginning model year 04/2004	917 004
4b	SPF 300 KE 2.0, homogeniser, 3.0 kW	917 856	10	Seal	
4c	SPF 400 KE, 4.0 kW	680 331	10a	for cover Ø 420, up to model year 03/2004	680 217
5a	Radial impeller with cutting plate and agitator for 2.6 kW	917 850	10b	for cover Ø 420, beginning model year 04/2004	917 204
5b	Radial impeller with cutting plate and agitator for 3.0 kW	917 854	11	Cover	
5c	Radial impeller with cutting plate and agitator for 4.0 kW	917 851	11a	Ø 420, up to model year 03/2004	680 326
5d	Cutting plate for 2.6/4.0 and 5.5 kW	917 853	11b	Ø 420, beginning model year 04/2004	916 904