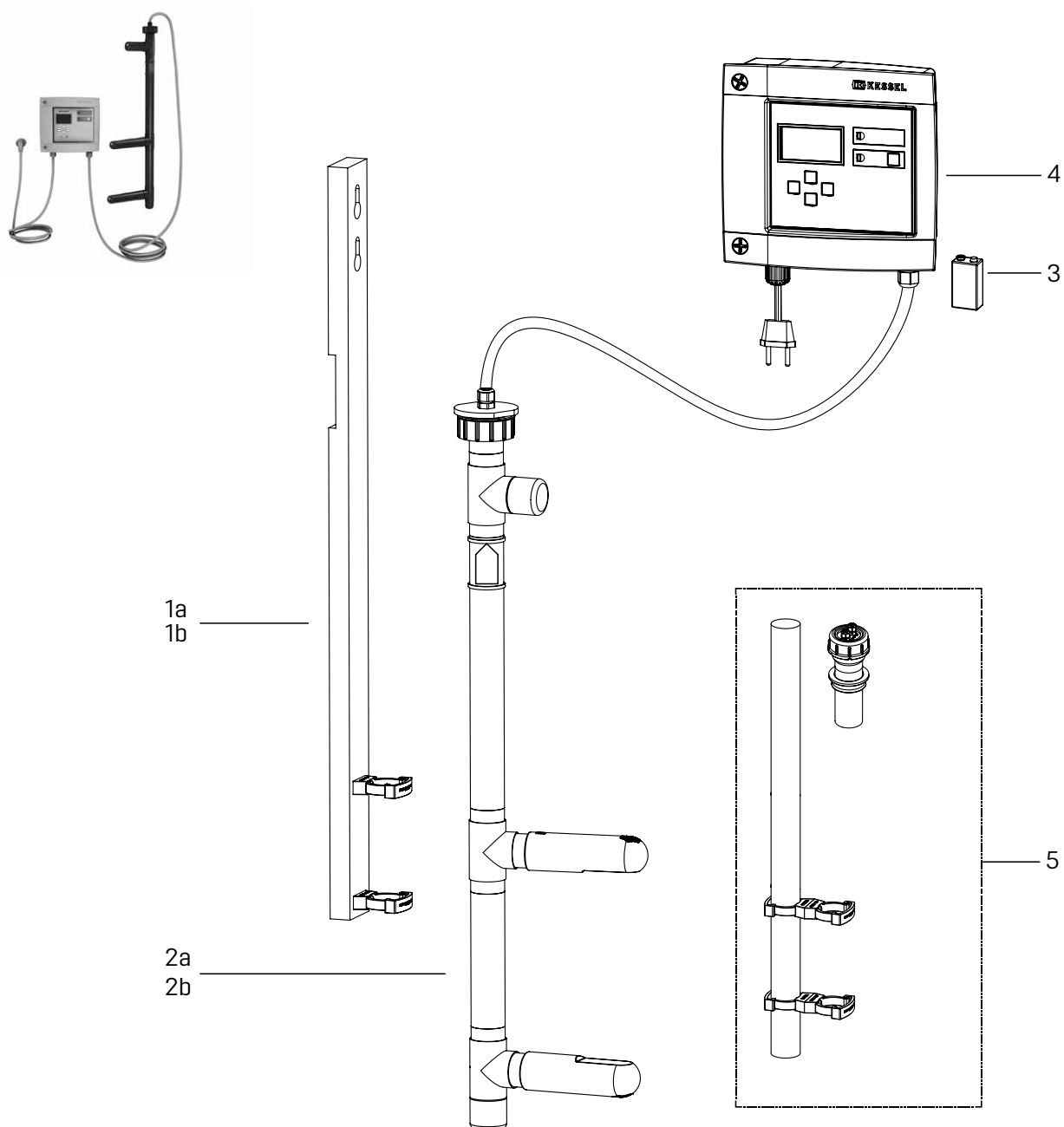


# Grease layer thickness measuring device *SonicControl*

For installation in a grease separator



Item	Designation	Art. no.	Item	Designation	Art. no.
1	Bracket, <i>SonicControl</i> grease separator		2b	beginning model year 10/2011 (sensor),	680 348
1a	with clips, up to model year 09/2011	917 837	3	Battery, 9 V block	680 034
1b	with clips, beginning model year 10/2011	680 350	4	Control unit <i>SonicControl</i>	680 349
2	Layer thickness measuring device <i>SonicControl</i> for grease separator		5	Installation bracket for <i>SonicControl</i> in underground grease separators	917 823
2a	up to model year 09/2011 (sensor + control unit), 10 m cable, 230 V	917 821			