

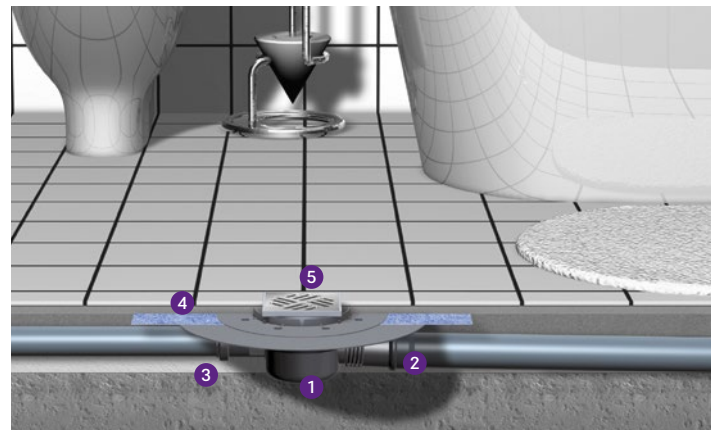
Bathroom drain *The Superflat*

The low profile drain for minimum installation depths.

With its low overall height of 90 mm including cover, the *Superflat* is especially suitable for low installation depths. The upper section can be shortened according to requirements. The flow rate is 0.8 l/s, the outlet is lateral

Modular design

As part of the modular system 100, the *Superflat* can be adjusted any way required and can be combined with numerous accessories – for example, with the Multistop odour trap or a glued flange as a moisture seal.



1 Drain 2 Outlet 3 Inlet 4 Adhesive flange 5 Cover

Bathroom drain *The Superflat* with glue flange

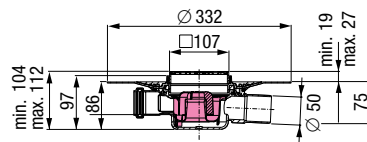
System 100



Made in PP, for shallow bed gasket with lowest installation height. With removable odour trap, glue flange with non-mounted waterproofing membrane according to EN 1253-1 and DIN 18534-1-W3-1 for shallow bed sealing, sound-absorbing, flexible lateral outlet 2.5°, with lateral inlet \varnothing 40 and fixed lip seal. Drainage capacity 0.8 l/sec flow rate. Installation area 260 × 180 mm. With upper section in ABS

Cover:

Slotted cover 100 × 100 mm in stainless steel AISI 304, class K 3



Outer diameter \varnothing (mm)

\varnothing 50

Art. no.

42 701.91