

## Shower channel *Linearis Compact*

with cover and rim in stainless steel AISI 304

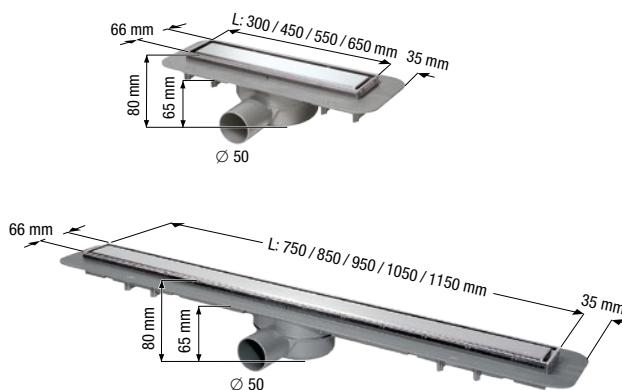


Made in ABS. With lateral outlet Ø 50, installation depth only 80 mm, removable odour trap, installation supports and with factory-mounted waterproofing membrane according to EN 1253-1 and DIN 18534-1-W3-I.

Drainage capacity 0.6 l/sec / 0.7 l/sec with 10 mm / without threshold. Sealing water height 22 mm

### Cover:

Cover and rim in stainless steel AISI 304 (Channel cover can be reversed and tiled on site), for tile thickness 15 mm, class K 3, seeping water openings prepared



➤ *Linearis Compact* upper sections for combination with individual system 100 drain bodies: page 220

Channel length in mm	Art. no.
With factory-mounted waterproofing membrane	
300	45 600.59M
450	45 600.60M
550	45 600.61M
650	45 600.62M
750	45 600.63M
850	45 600.64M
950	45 600.65M
1050	45 600.66M
1150	45 600.67M

