

Coalescence separator *EasyOil* ground NS 3 – 6, class I, Ø 1000

for underground installation



Based on EN 858

Made of polyethylene

Installation

For underground installation, installation depth (D) from ... mm

- Not for installation in high groundwater areas!

Consisting of:

Integrated sludge trap and self-actuated closure lock, calibrated for light liquid with densities between 0.85 to 0.95 g/cm³.

With removable coalescence filter insert. Completely water tight to top of cover, resistant against aggressive wastewaters. Vertically adjustable polymer upper section, tiltable to 5°, cast iron manhole cover according to EN 124, load class D, with removal key, certified structural test.

Inlet and outlet Ø for synthetic material pipes in:

PE-HD (according to EN 12666-1); PVC pipe (according to EN 1401-1); PP or AS.

Delivery: Completely assembled

Note: Choose separator size and article number from table below.

Contact KESSEL for separator sizing support if required.

➤ **Accessories:** *SonicControl*, e.g. see page 397 – 399



Illustration shows Art. no. 99 703.10B

Illustration shows Art. no. 99 706.10B

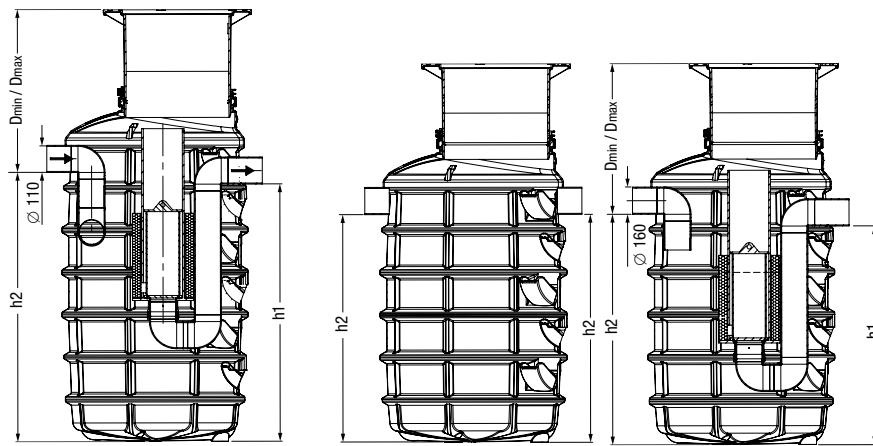


Illustration shows Art. no. 99 703.04B

Illustration shows Art. no. 99 706.18B (Twin-chamber system)

NS Art. no.

Cover class A / B

NS 6	99 706.02B
NS 6	99 706.06B
NS 3	99 703.04B
NS 6 ¹⁾	99 706.10B
NS 3	99 703.10B
NS 6 ¹⁾	99 706.18B

Cover class D

NS 6	99 706.02D
NS 6	99 706.06D
NS 3	99 703.04D
NS 6 ¹⁾	99 706.10D
NS 3	99 703.10D
NS 6 ¹⁾	99 706.18D

NS	Ø*	Installation depth D (min/max) (mm)	Sludge disposal volume (l)	Weight (kg)	h2 (Inlet bottom) (mm)	h1 (Outlet bottom) (mm)	Oil storage capacity (l)	Sludge trap capacity (l)	Art. no.
6	160	560 - 1090	200	175	1090	1020	200	400	99 706.02B
6	160	560 - 1090	650	175	1590	1520	200	1300	99 706.06B
3	110	545 - 995	400	175	1105	1055	200	800	99 703.04B
6 ¹⁾	160	560 - 1090	850	305	1090	1020	200	1700	99 706.10B
3	110	545 - 995	850	190	1605	1555	200	1700	99 703.10B
6 ¹⁾	160	560 - 1090	1900	320	1590	1520	200	3800	99 706.18B
6	160	560 - 1090	200	205	1090	1020	200	400	99 706.02D
6	160	560 - 1090	650	220	1590	1520	200	1300	99 706.06D
3	110	545 - 995	400	205	1105	1055	200	800	99 703.04D
6 ¹⁾	160	560 - 1090	850	338	1090	1020	200	1700	99 706.10D
3	110	545 - 995	850	220	1605	1555	200	1700	99 703.10D
6 ¹⁾	160	560 - 1090	1900	353	1590	1520	200	3800	99 706.18D

*Ø = Inlet and outlet outer diameter (mm) ¹⁾ Twin-chamber system